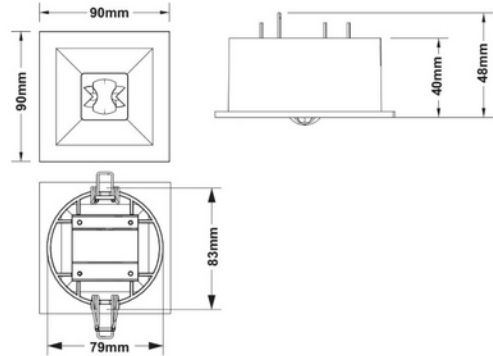


**PRODUCT DATA SHEET**Corridor R Escape Route EMG 140lm 1W 1h ST Recessed
Art.no: 1019528*Lighting Solutions*

Corridor R Escape Route EMG 140lm 1W 1h ST Recessed



A recessed LED emergency escape luminaire with latest optics designed to illuminate escape routes. Batteries for emergency: 1 year warranty

ELECTRICAL DATA	
Protection Class (system)	2
Voltage (system) [V]	230V 50Hz
Emergency light (h)	1 hour
Emergency Function	Maintained/ Non-maintained
Emergency Type	Escape light/ route
Emergency light testing	Selftest

TECHNICAL DATA	
IK (system)	IK08
IP (system)	IP20
Outdoor	No

**PRODUCT DATA SHEET**

Corridor R Escape Route EMG 140lm 1W 1h ST Recessed

Art.no: 1019528

*Lighting Solutions*

TECHNICAL DATA	
Operating temperature (°C)	0 - 40

PHOTOMETRIC DATA	
CRI / Ra (>=)	80
CCT (Color Temperature) (K)	6500
Lifetime (h)	L80B50: 50 000
Emergency lumen out (lm)	140

DIMENSIONS	
Length (product) (mm)	95.0
Width (product) (mm)	95.0
Height (product) (mm)	48.0
Weight (product) (kg)	0.66

MATERIALS AND SURFACES	
Color	White

INSTALLATION AND CONNECTION	
Mounting	Recessed
Connection (system)	Terminal

ENERGY AND CERTIFICATIONS	
CE mark	Yes