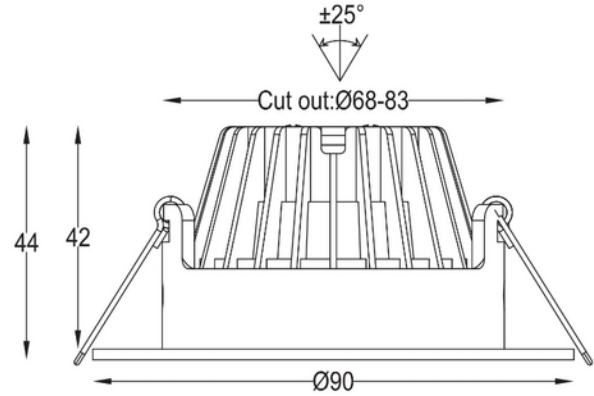


**PRODUCT DATA SHEET**

Icarus 500lm 927 36° 7W WH phasecut Isosafe

Art.no: 101970-36-3

*Lighting Solutions*

Icarus 500lm 927 36° 7W WH phasecut Isosafe



7W downlight that can be installed directly into insulation. Cutout \varnothing 68-83mm makes it perfect for rehab and new installation. Tilttable 25°, CRI>95 and flickerfree phasecut driver.

ELECTRICAL DATA	
Protection Class (system)	2
Dimming (system)	Phase-Cut
Voltage (system) [V]	230V 50Hz
Power (system) (W)	7
Emergency light (h)	No Emergency light

TECHNICAL DATA	
IK (system)	IK02
IP (system)	IP20
IP Front/Back (system)	IP20/20
Product Family	Icarus

**PRODUCT DATA SHEET**

Icarus 500lm 927 36° 7W WH phasecut Isosafe

Art.no: 101970-36-3

*Lighting Solutions*

TECHNICAL DATA	
Outdoor	No
Operating temperature (°C)	-20 - 45

PHOTOMETRIC DATA	
Efficacy (system) (lm/W)	71
CRI / Ra (>=)	95
CCT (Color Temperature) (K)	2700
Color Code	927
Lightsource Type	LED (built in)
Socket / Cap-Base	N/A
Lens (Diffuser)	Clear
Lifetime (h)	L80: 100 000
MacAdam (SDCM)	3
UGR (<=)	28
Manufacturer (light source)	Sunpu
Forward Current LED (min-max) (mA)	150 - 750
Forward Voltage LED (max tp=25) (V)	16.0
Driftspenning LED (min tp=65) (V)	13.0

DRIVER	
Manufacturer (driver)	Diaman
Protection Class (driver)	2
Standby power P _{sb} (W) <	0.5
Flicker metric (P _{st} LM) <	0.034
Stroboscopic effect metric (SVM) <	0.021
Max Output Voltage (V)	24
Dimming (driver)	Phase-Cut
Dimming Minimum Level (%)	1.0
Dimming Phasecut Type	Leading / Trailing edge
Dimming output type	Amplitude Modulation
IP (driver)	IP20
Expected Lifetime (driver) (h)	50000
Flicker-free	Yes
Constant current or voltage (CC or CV)	CC
CC (driver) [mA]	332 - 367

**PRODUCT DATA SHEET**

Icarus 500lm 927 36° 7W WH phasecut Isosafe

Art.no: 101970-36-3

*Lighting Solutions*

DRIVER	
CC (forward voltage driver) (V)	12.0 - 24.0
CV (driver) [V]	15
Output Current Tolerance (%)	5.0
Current Ripple (%)	5.0
Max load pr circuit - B10	140
Max load pr circuit - B16	225
Max load pr circuit - C10	280
Max load pr circuit - C16	448
Max load pr circuit - C20	560
Max load pr circuit - C25	700
Max load pr circuit - C32	800
Leakage current (mA)	5.0
Inrush current time (µs)	13.5
Inrush current I _{max} (A)	8.0

DIMENSIONS	
Height (product) (mm)	44.0
Weight (product) (kg)	0.3611111111111111
Diameter (product) (mm)	90.0

MATERIALS AND SURFACES	
Color	White
RAL Code	RAL9010
Corrosion Class	C1
Surface treatment	Powdercoated
Housing Material	Aluminium
Housing Material %	48.6
Diffuser Material	Aluminium
Diffuser Material%	0.7000000000000001
Material 2%	5.1
Material 4%	1.4000000000000001
Material 5%	0.04
Material 6%	1.7000000000000002
Material 7%	42.46



PRODUCT DATA SHEET

Icarus 500lm 927 36° 7W WH phasecut Isosafe

Art.no: 101970-36-3



Lighting Solutions

INSTALLATION AND CONNECTION

Areas of use	Generally
Mounting	Recessed
Connection (system)	QuickConnect

ENERGY AND CERTIFICATIONS

Energy Class EPREL	G
CE mark	Yes

LIGHT DISTRIBUTION

