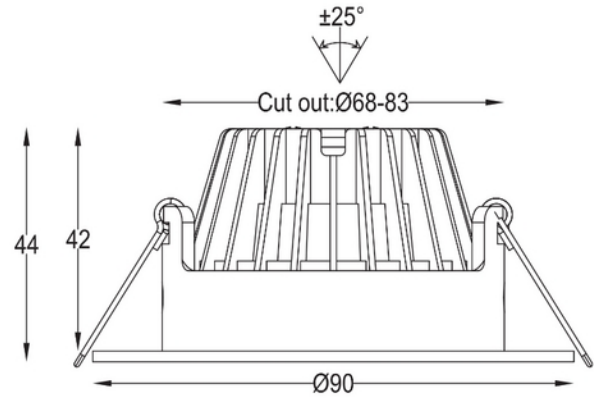


**FDV DOCUMENTATION**

Icarus 450lm 927 36° 7W BK phasecut Isosafe 8-pack

Art.no: 101975-36-2

*Lighting Solutions*

Icarus 450lm 927 36° 7W BK phasecut Isosafe 8-pack



SPECIFICATIONS	
Power (system) (W)	7
Operating temperature (°C)	45
Forward Voltage LED (max tp=25) (V)	16.0
Forward Voltage LED (min tp=65) (V)	13.0
CC (driver) [mA]	367
CC (forward voltage driver) (V)	24.0
Inrush current time (μs)	13.5
Inrush current I _{max} (A)	8.0
Height (product) (mm)	44.0
Weight (product) (kg)	2.725
Diameter (product) (mm)	90.0



FDV DOCUMENTATION

Icarus 450lm 927 36° 7W BK phasecut Isosafe 8-pack

Art.no: 101975-36-2



Lighting Solutions

LIGHT DISTRIBUTION

