

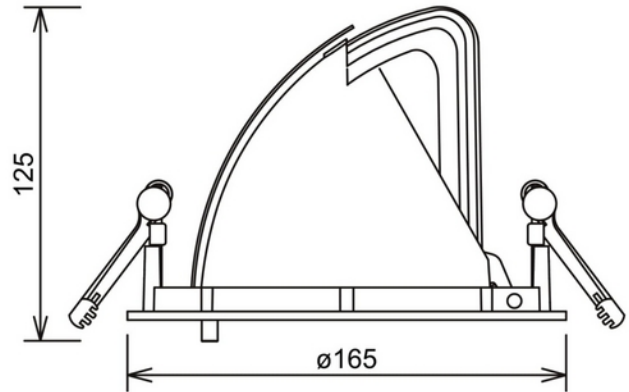
**PRODUCT DATA SHEET**

Zeta Mini ArcticWhite 3350lm 932 15° 27W BK 18i3

Art.no: 1020-7-15-2

*Lighting Solutions*

155mm



Zeta Mini ArcticWhite 3350lm 932 15° 27W BK 18i3



Zeta Mini is a small flexible LED downlight replacing the well-known Zebra mini, offering the same great quality and adjustment possibilities. The Zeta mini is supplied with 18i3 cable connector and can be delivered with a variety of connection options. The down light is available in three different colors.

ELECTRICAL DATA	
Protection Class (system)	2
Dimming (system)	None
Voltage (system) [V]	230V 50Hz

TECHNICAL DATA	
IP (system)	IP20
Outdoor	No

PHOTOMETRIC DATA	
Efficacy (system) (lm/W)	93

**PRODUCT DATA SHEET**

Zeta Mini ArcticWhite 3350lm 932 15° 27W BK 18i3

Art.no: 1020-7-15-2

*Lighting Solutions*

PHOTOMETRIC DATA	
CRI / Ra (>=)	95
CCT (Color Temperature) (K)	Arctic White
Color Code	935
Lightsource Type	LED (built in)
Lens (Diffuser)	Clear
Lifetime (h)	L80B10: 100 000
MacAdam (SDCM)	3
Manufacturer (light source)	Tridonic
Forward Current LED (min-max) (mA)	500 - 1400
Forward Voltage LED (max tp=25) (V)	34.8
Driftspenning LED (min tp=65) (V)	16.7

DRIVER	
Manufacturer (driver)	Tridonic
Protection Class (driver)	1 or 2
Max Output Voltage (V)	60
IP (driver)	IP20
Expected Lifetime (driver) (h)	50000
Constant current or voltage (CC or CV)	CC
CC (driver) [mA]	700 - null
CC (forward voltage driver) (V)	21.4 - 44.0
Output Current Tolerance (%)	7.5
Current Ripple (%)	5.0
Max load pr circuit - B10	14
Max load pr circuit - B16	24
Max load pr circuit - C10	24
Max load pr circuit - C16	40
Inrush current time (µs)	150.0
Inrush current I _{max} (A)	25.0

DIMENSIONS	
Length (product) (mm)	165.0
Width (product) (mm)	165.0
Height (product) (mm)	125.0
Weight (product) (kg)	0.95

