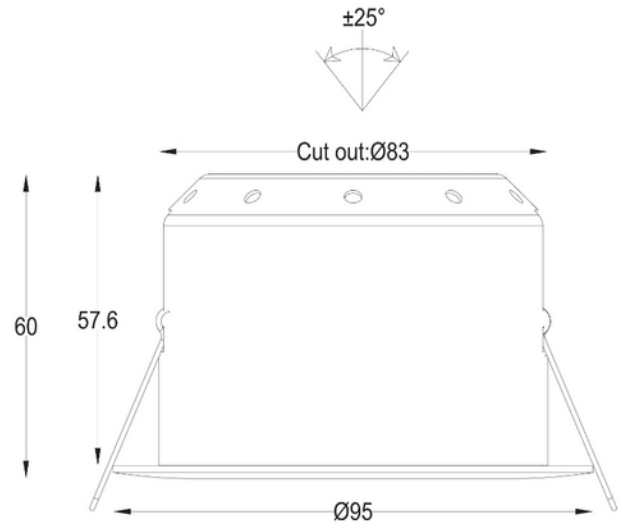


**FDV DOCUMENTATION**

Anza 550lm 927 8W 36° BK phasecut Isosafe

Art.no: 102380-36-2-p

*Lighting Solutions*

Anza 550lm 927 8W 36° BK phasecut Isosafe



SPECIFICATIONS	
Operating temperature (°C)	45
Forward Voltage LED (max tp=25) (V)	38.0
Forward Voltage LED (min tp=65) (V)	32.0
CC (driver) [mA]	189
CC (forward voltage driver) (V)	50.0
Inrush current time (μ s)	100.0
Inrush current I _{max} (A)	5.0
Width (product) (mm)	95.0
Height (product) (mm)	57.6
Weight (product) (kg)	0.416666666666667
Diameter (product) (mm)	95.0