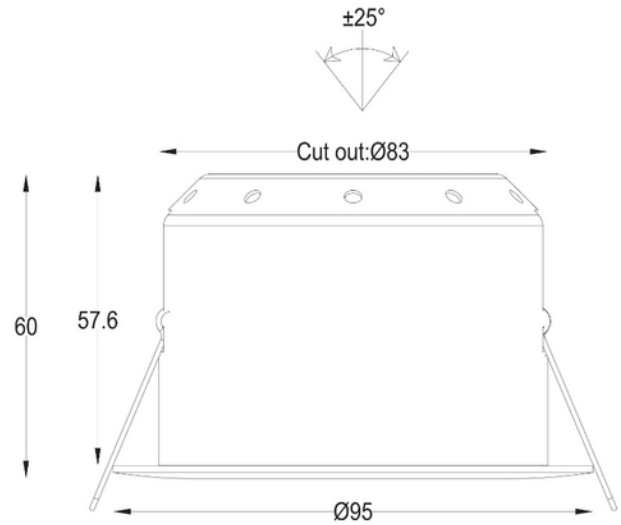


**PRODUCT DATA SHEET**

Anza 550lm 927 8W 36° BK phasecut Isosafe

Art.no: 102380-36-2-p

*Lighting Solutions*

Anza 550lm 927 8W 36° BK phasecut Isosafe



Anza downlight comes with warm white color temperature (2700K) and a secluded light source that gives a comfortable and warm light. The downlight is adjustable and comes with a dimmable driver. Front ring in gold is sold separately.

ELECTRICAL DATA	
Protection Class (system)	2
Dimming (system)	Phase-Cut
Voltage (system) [V]	230V 50Hz
Emergency light (h)	No Emergency light

TECHNICAL DATA	
IK (system)	IK02
IP (system)	IP20
IP Front/Back (system)	IP20/20
Outdoor	No
Operating temperature (°C)	-20 - 45

**PRODUCT DATA SHEET**

Anza 550lm 927 8W 36° BK phasecut Isosafe

Art.no: 102380-36-2-p

*Lighting Solutions*

PHOTOMETRIC DATA	
Efficacy (system) (lm/W)	68
CRI / Ra (>=)	95
CCT (Color Temperature) (K)	2700
Color Code	927
Lightsource Type	LED (built in)
Socket / Cap-Base	N/A
Lens (Diffuser)	Clear
Lifetime (h)	L80: 100 000
MacAdam (SDCM)	3
UGR (<=)	23
Manufacturer (light source)	Evercore
Forward Current LED (min-max) (mA)	300 - 450
Forward Voltage LED (max tp=25) (V)	38.0
Driftspenning LED (min tp=65) (V)	32.0

DRIVER	
Manufacturer (driver)	AcTEC
Protection Class (driver)	2
Standby power P _{sb} (W) <	0.5
Flicker metric (P _{st} LM) <	1.0
Stroboscopic effect metric (SVM) <	0.4
Max Output Voltage (V)	50
Dimming (driver)	None
Dimming Minimum Level (%)	1.0
Dimming Phasecut Type	Leading / Trailing edge
Dimming output type	Amplitude Modulation
IP (driver)	IP20
Expected Lifetime (driver) (h)	50000
Flicker-free	Yes
Constant current or voltage (CC or CV)	CC
CC (driver) [mA]	171 - 189
CC (forward voltage driver) (V)	25.0 - 50.0
CV (driver) [V]	36
Output Current Tolerance (%)	5.0

**PRODUCT DATA SHEET**

Anza 550lm 927 8W 36° BK phasecut Isosafe

Art.no: 102380-36-2-p

*Lighting Solutions*

DRIVER	
Current Ripple (%)	5.0
Max load pr circuit - B10	140
Max load pr circuit - B16	224
Max load pr circuit - C10	280
Max load pr circuit - C16	448
Max load pr circuit - C20	560
Max load pr circuit - C25	700
Max load pr circuit - C32	800
Leakage current (mA)	5.0
Inrush current time (µs)	100.0
Inrush current I _{max} (A)	5.0

DIMENSIONS	
Width (product) (mm)	95.0
Height (product) (mm)	57.6
Weight (product) (kg)	0.416666666666667
Diameter (product) (mm)	95.0

MATERIALS AND SURFACES	
Color	Black
RAL Code	RAL9005
Corrosion Class	C1
Surface treatment	Powdercoated
Housing Material	Aluminium
Housing Material %	67.99
Diffuser Material	Aluminium
Diffuser Material%	1.3599999999999999
Recycled Aluminium %	71.26
Material 2%	1.3599999999999999
Material 3%	1.09
Material 4%	1.7000000000000002
Material 5%	0.6799999999999999
Material 6%	0.88
Material 7%	3.2
Material 8%	6.1

**PRODUCT DATA SHEET**

Anza 550lm 927 8W 36° BK phasecut Isosafe

Art.no: 102380-36-2-p

*Lighting Solutions***MATERIALS AND SURFACES**

Material 9%	5.6000000000000005
-------------	--------------------

INSTALLATION AND CONNECTION

Areas of use	Hotel
Mounting	Recessed
Connection (system)	QuickConnect

ENERGY AND CERTIFICATIONS

Energy Class EPREL	F
CE mark	Yes