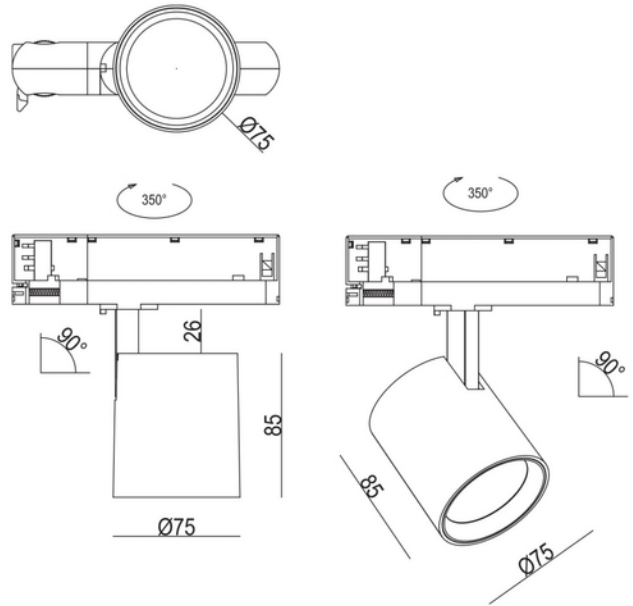


**PRODUCT DATA SHEET**

Rod Mini C 1800lm 930 20° 15W BK 3-circuit
 Art.no: 102531-20-2

*Lighting Solutions*

Rod Mini C 1800lm 930 20° 15W BK 3-circuit



ELECTRICAL DATA	
Protection Class (system)	2
Dimming (system)	None
Voltage (system) [V]	230V 50Hz
Lightsource Max. Power (W) if Socket	/
Emergency light (h)	No Emergency light

TECHNICAL DATA	
IK (system)	IK02
IP (system)	IP20
IP Front/Back (system)	IP20/20
Outdoor	No
Operating temperature (°C)	-20 - 45

**PRODUCT DATA SHEET**

Rod Mini C 1800lm 930 20° 15W BK 3-circuit

Art.no: 102531-20-2

*Lighting Solutions*

PHOTOMETRIC DATA	
Efficacy (system) (lm/W)	120
CRI / Ra (>=)	90
CCT (Color Temperature) (K)	3000
Color Code	930
Lightsource Type	LED (built in)
Socket / Cap-Base	N/A
Lens (Diffuser)	Clear
Lifetime (h)	L80: 100 000
MacAdam (SDCM)	3
UGR (<=)	19
Manufacturer (light source)	Bridgelux
Forward Current LED (min-max) (mA)	150 - 720
Forward Voltage LED (max tp=25) (V)	38.0
Driftspenning LED (min tp=65) (V)	33.0

DRIVER	
Manufacturer (driver)	Boke
Protection Class (driver)	2
Standby power Psb (W) <	0.5
Flicker metric (Pst LM) <	0.037
Stroboscopic effect metric (SVM) <	0.009
Max Output Voltage (V)	42
Dimming (driver)	None
IP (driver)	IP20
Expected Lifetime (driver) (h)	100000
Flicker-free	Yes
Constant current or voltage (CC or CV)	CC
CC (driver) [mA]	300 - 1050
CC (forward voltage driver) (V)	10.0 - 42.0
Surge Protection	L-N = 2KV
CV (driver) [V]	36
Output Current Tolerance (%)	5.0
Current Ripple (%)	3.0
Max load pr circuit - B10	56
Max load pr circuit - B16	89

**PRODUCT DATA SHEET**

Rod Mini C 1800lm 930 20° 15W BK 3-circuit

Art.no: 102531-20-2

*Lighting Solutions*

DRIVER	
Max load pr circuit - C10	56
Max load pr circuit - C16	89
Max load pr circuit - C20	111
Max load pr circuit - C25	139
Max load pr circuit - C32	177
Leakage current (mA)	0.55
Inrush current time (μ s)	70.0
Inrush current I _{max} (A)	2.025

DIMENSIONS	
Width (product) (mm)	75.0
Height (product) (mm)	85.0
Weight (product) (kg)	0.53
Diameter (product) (mm)	75.0

MATERIALS AND SURFACES	
Color	Black
RAL Code	RAL9005
Corrosion Class	C1
Housing Material	Aluminium
Diffuser Material	Aluminium

INSTALLATION AND CONNECTION	
Areas of use	Cafe, Generally, Shop, Showroom
Mounting	Track, Ceiling
Connection (system)	Track 3-Circuit

ENERGY AND CERTIFICATIONS	
Energy Class EPREL	D
CE mark	Yes