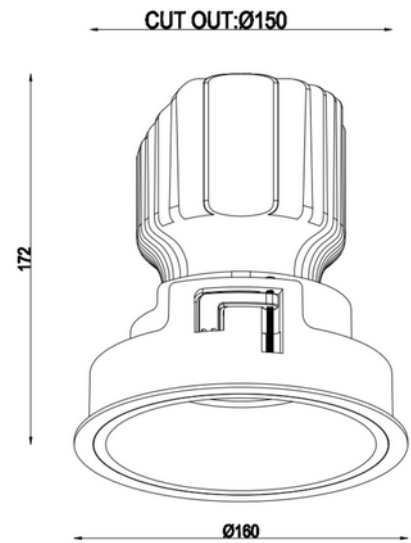


**FDV DOCUMENTATION**

Milli Maxi 2100lm 18W 927 50° WH IP44 Ø150mm w/o driver

Art.no: 102740-50-3

*Lighting Solutions*

# Milli Maxi 2100lm 18W 927 50° WH IP44 Ø150mm w/o driver



SPECIFICATIONS	
Operating temperature (°C)	45
Forward Voltage LED (max tp=25) (V)	38.0
Forward Voltage LED (min tp=65) (V)	33.0
Width (product) (mm)	164.0
Height (product) (mm)	172.0
Weight (product) (kg)	1.5625
Diameter (product) (mm)	160.0
Mounting	Recessed, Ceiling