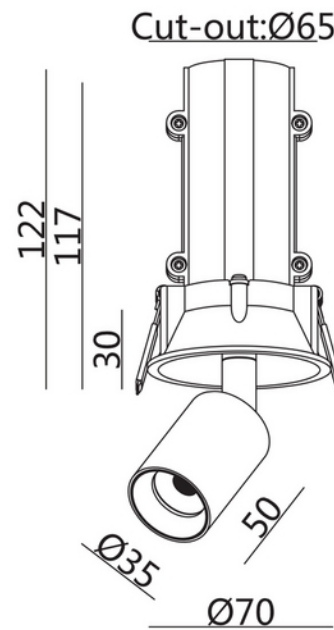


**FDV DOCUMENTATION**

Toro 480lm 927 15° 3W Ø65mm Quartz Bronze DALI

Art.no: 102870-15-27-ddd

*Lighting Solutions*

## Toro 480lm 927 15° 3W Ø65mm Quartz Bronze DALI



SPECIFICATIONS	
Type of Dimming (system)	DALI2
IK	IK02
Operating temperature (°C)	45
Color Code	927
Lightsource Type	LED (built in)
Socket / Cap-Base	N/A
Lifetime (h)	L80: 100 000
MacAdam (SDCM)	3
Forward Voltage LED (max tp=25) (V)	10.0
Forward Voltage LED (min tp=65) (V)	7.5
Protection Class (driver)	2
Dimming (driver)	None
Constant current or voltage (CC or CV)	CC

**FDV DOCUMENTATION**

Toro 480lm 927 15° 3W Ø65mm Quartz Bronze DALI

Art.no: 102870-15-27-ddd

*Lighting Solutions*

SPECIFICATIONS	
CC (driver) [mA]	350
CC (forward voltage driver) (V)	24.0
Inrush current time ( $\mu$ s)	38.4
Inrush current I <sub>max</sub> (A)	2.34
Length (product) (mm)	80.0
Width (product) (mm)	80.0
Height (product) (mm)	122.0
Weight (product) (kg)	0.4277777777777778
Diameter (product) (mm)	80.0
Color	Quartz Bronze
Mounting	Recessed, Ceiling
Connection (system)	QuickConnect
Emergency light (h)	No Emergency light
Emergency light testing	N/A