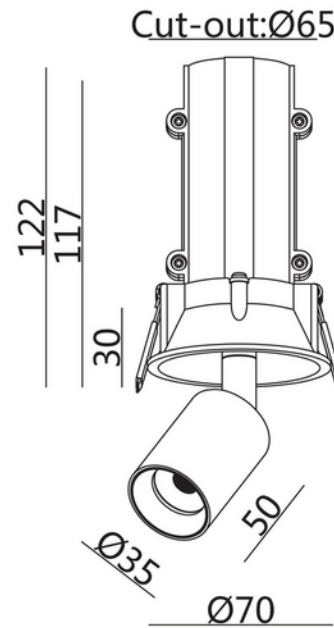


**PRODUCT DATA SHEET**

Toro 480lm 927 24° 3W Ø65mm Quartz Bronze DALI
 Art.no: 102870-24-27-ddd

*Lighting Solutions*

Toro 480lm 927 24° 3W Ø65mm Quartz Bronze DALI



ELECTRICAL DATA	
Protection Class (system)	2
Dimming (system)	DALI2
Voltage (system) [V]	230V 50Hz
Emergency light (h)	No Emergency light
Emergency light testing	N/A

TECHNICAL DATA	
IK (system)	IK02
IP (system)	IP20
IP Front/Back (system)	IP20/20
Outdoor	No
Operating temperature (°C)	-20 - 45

**PRODUCT DATA SHEET**

Toro 480lm 927 24° 3W Ø65mm Quartz Bronze DALI
Art.no: 102870-24-27-ddd



Lighting Solutions

PHOTOMETRIC DATA	
Efficacy (system) (lm/W)	83
CRI / Ra (>=)	95
CCT (Color Temperature) (K)	2700
Color Code	927
Lightsource Type	LED (built in)
Socket / Cap-Base	N/A
Lens (Diffuser)	Clear
Lifetime (h)	L80: 100 000
MacAdam (SDCM)	3
UGR (<=)	15
Manufacturer (light source)	Sunpu
Forward Current LED (min-max) (mA)	200 - 450
Forward Voltage LED (max tp=25) (V)	10.0
Driftspenning LED (min tp=65) (V)	7.5

DRIVER	
Manufacturer (driver)	Eaglerise
Protection Class (driver)	2
Standby power P _{sb} (W) <	0.5
Flicker metric (P _{st} LM) <	1.0
Stroboscopic effect metric (SVM) <	0.4
Max Output Voltage (V)	24
Dimming (driver)	None
Dimming Minimum Level (%)	1.0
Dimming output type	AM+PWM
IP (driver)	IP20
Expected Lifetime (driver) (h)	50000
Flicker-free	Yes
Constant current or voltage (CC or CV)	CC
CC (driver) [mA]	120 - 350
CC (forward voltage driver) (V)	5.0 - 24.0
CV (driver) [V]	15
Output Current Tolerance (%)	6.0
Current Ripple (%)	10.0
Max load pr circuit - B10	66

**PRODUCT DATA SHEET**

Toro 480lm 927 24° 3W Ø65mm Quartz Bronze DALI
Art.no: 102870-24-27-ddd



Lighting Solutions

DRIVER	
Max load pr circuit - B16	106
Max load pr circuit - C10	66
Max load pr circuit - C16	106
Max load pr circuit - C20	133
Max load pr circuit - C25	165
Max load pr circuit - C32	211
Leakage current (mA)	5.0
Inrush current time (µs)	38.4
Inrush current I _{max} (A)	2.34

DIMENSIONS	
Length (product) (mm)	80.0
Width (product) (mm)	80.0
Height (product) (mm)	122.0
Weight (product) (kg)	0.4277777777777778
Diameter (product) (mm)	80.0

MATERIALS AND SURFACES	
Color	Quartz Bronze
Corrosion Class	C1
Housing Material	Aluminium
Diffuser Material	Aluminium

INSTALLATION AND CONNECTION	
Areas of use	Shop
Mounting	Recessed
Connection (system)	QuickConnect

ENERGY AND CERTIFICATIONS	
Energy Class EPREL	F
CE mark	Yes