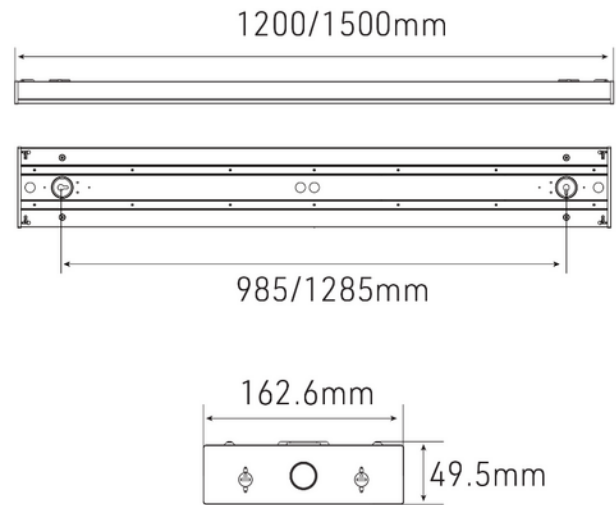


**FDV DOCUMENTATION**

Uniplus NWC 5000lm 830 90° 40W 5x2,5mm2 1500mm WH

Art.no: 103052-NW-90-3

*Lighting Solutions*

## Uniplus NWC 5000lm 830 90° 40W 5x2,5mm2 1500mm WH



SPECIFICATIONS	
Lumen Out (system) (lm)	4400
Length (product) (mm)	1500.0
Width (product) (mm)	162.6
Height (product) (mm)	49.5
Weight (product) (kg)	3.42



**FDV DOCUMENTATION**

Uniplus NWC 5000lm 830 90° 40W 5x2,5mm2 1500mm WH

Art.no: 103052-NW-90-3



*Lighting Solutions*

**LIGHT DISTRIBUTION**

