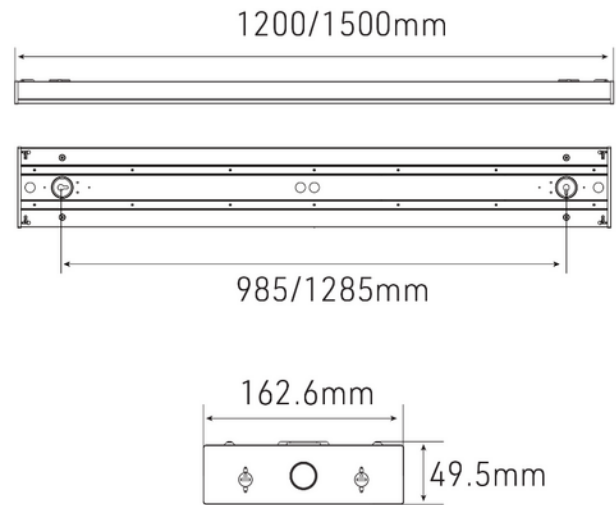


**PRODUCT DATA SHEET**Uniplus NWC 5000lm 830 90° 40W 5x2,5mm² 1500mm WH

Art.no: 103052-NW-90-3

*Lighting Solutions*

Uniplus NWC 5000lm 830 90° 40W 5x2,5mm² 1500mm WH



Uniplus is a high-efficiency luminaire that provides excellent light quality. Specifically designed to replace older T8 and T5 luminaires. Focusing on energy saving, Uniplus offers impressive performance, which in turn contributes to reduced operating costs.

Easy installation with 2.5mm² pass-through connection. Low glare with UGR19 and up to 150lm/W. The luminaire comes with a DIP switch, allowing you to customize the power level as needed. With a microprismatic diffuser, a uniform and pleasant light distribution is ensured throughout the area, and with a lifetime of L80B10 = 100,000 hours, maintenance needs are minimized.

Can also be mounted suspended. Natural areas of use are schools, offices, warehouses, garages, and technical rooms. The luminaire has an IP40 classification.

Variants: Available in lengths of 120cm and 150cm. Width: 16.2cm. Height 49.5mm. A DALI version (150cm) is also available for those looking for more advanced lighting control systems.

Adjustable power level

With a DIP switch, you can change the power level.

Power level: Uniplus, 120cm:

31W = 4500lm | 27W = 3933lm | 23W = 3390lm | 18W = 2700lm

Power level: Uniplus, 150cm:

39W = 5670lm | 34W = 5000lm | 28W = 4130lm | 23W = 3470lm

**PRODUCT DATA SHEET**

Uniplus NWC 5000lm 830 90° 40W 5x2,5mm2 1500mm WH

Art.no: 103052-NW-90-3

*Lighting Solutions*

ELECTRICAL DATA	
Protection Class (system)	1
Dimming (system)	Norlux Wireless Connect

TECHNICAL DATA	
IK (system)	IK06
Outdoor	No

PHOTOMETRIC DATA	
Lumen Out (system) (lm)	4400
Efficacy (system) (lm/W)	110
CRI / Ra (>=)	80
CCT (Color Temperature) (K)	3000
Color Code	830
Lightsource Type	LED (replaceable)
Socket / Cap-Base	N/A
Lens (Diffuser)	Micropris.
MacAdam (SDCM)	3
UGR (<=)	19
Manufacturer (light source)	Shenzhen leadopto Technology Co.Ltd
Forward Current LED (min-max) (mA)	0 - 150

DRIVER	
Flicker-free	Yes

CONTROL SYSTEM	
Norlux Wireless Connect	Implemented
Mesh	Yes
System	NWC

DIMENSIONS	
Length (product) (mm)	1500.0
Width (product) (mm)	162.6
Height (product) (mm)	49.5
Weight (product) (kg)	3.42

**PRODUCT DATA SHEET**Uniplus NWC 5000lm 830 90° 40W 5x2,5mm² 1500mm WH

Art.no: 103052-NW-90-3

*Lighting Solutions*

MATERIALS AND SURFACES	
Color	White
RAL Code	RAL9003
Housing Material	Steel

INSTALLATION AND CONNECTION	
Mounting	Surface, Suspended, Ceiling
Connection (system)	QuickConnect

ENERGY AND CERTIFICATIONS	
Energy Class EPREL	C
CE mark	Yes
EPD number	NEPD-14088-14413

LIGHT DISTRIBUTION