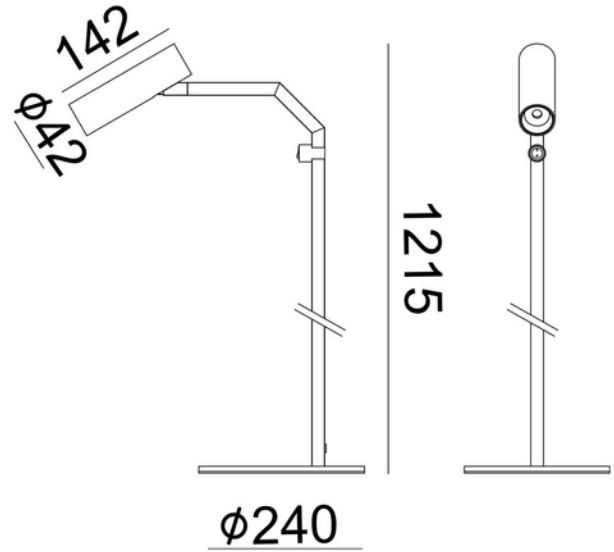
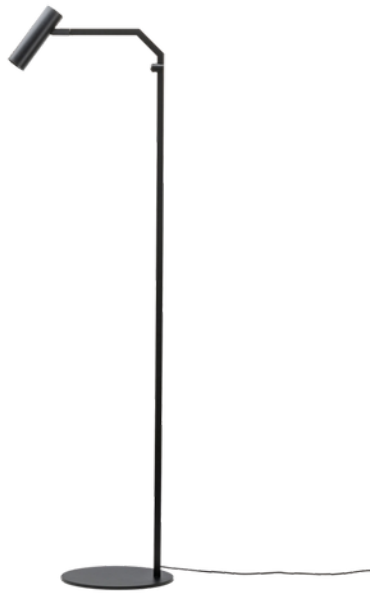


**PRODUCT DATA SHEET**

Tania Slim Floor 927 34° 5W On/Off button BK

Art.no: 103190-34-2

*Lighting Solutions*

Tania Slim Floor 927 34° 5W On/Off button BK



ELECTRICAL DATA	
Protection Class (system)	2
Dimming (system)	None
Voltage (system) [V]	230V 50Hz
Lightsource Max. Power (W) if Socket	5.87

TECHNICAL DATA	
IK (system)	IK01
IP (system)	IP20
Outdoor	No

PHOTOMETRIC DATA	
Efficacy (system) (lm/W)	76
CRI / Ra (>=)	90

**PRODUCT DATA SHEET**

Tania Slim Floor 927 34° 5W On/Off button BK

Art.no: 103190-34-2

*Lighting Solutions*

PHOTOMETRIC DATA	
CCT (Color Temperature) (K)	2700
Color Code	927
Lightsource Type	LED (built in)
Socket / Cap-Base	N/A
Lens (Diffuser)	Clear
Lifetime (h)	L80B10: 100 000
MacAdam (SDCM)	2
UGR (<=)	15
Manufacturer (light source)	Bridgelux

DRIVER	
Manufacturer (driver)	KGP
Standby power P _{sb} (W) <	0.5
Max Output Voltage (V)	13
Dimming (driver)	None
IP (driver)	IP20
Expected Lifetime (driver) (h)	50000
Flicker-free	No
CC (driver) [mA]	500 - null
Output Current Tolerance (%)	5.0

DIMENSIONS	
Length (product) (mm)	1215.0
Width (product) (mm)	240.0
Height (product) (mm)	240.0
Diameter (product) (mm)	42.0

MATERIALS AND SURFACES	
Color	Black
RAL Code	RAL9006
Corrosion Class	C2

INSTALLATION AND CONNECTION	
Areas of use	Inndoor, Cottage, Hotel, Residence, Restaurant
Mounting	Floor



PRODUCT DATA SHEET

Tania Slim Floor 927 34° 5W On/Off button BK
Art.no: 103190-34-2



Lighting Solutions

INSTALLATION AND CONNECTION

Connection (system)	2m cable m/ Euro
---------------------	------------------

ENERGY AND CERTIFICATIONS

Energy Class EPREL	F
CE mark	Yes