




FDV DOCUMENTATION

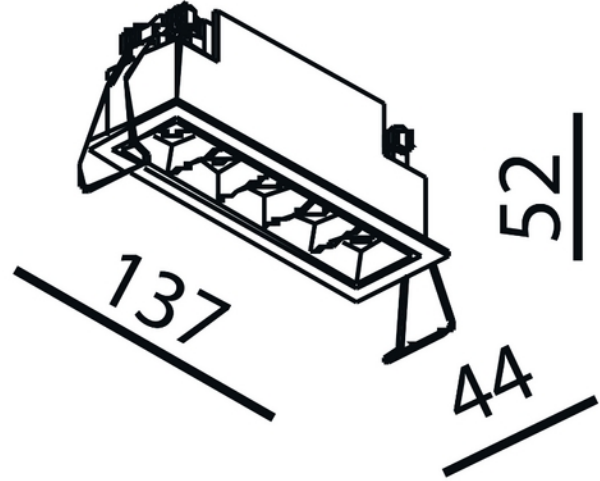
Cold 5 1150lm 930 46° 5x2W BK w/o driver

Art.no: 1107-46-2



Lighting Solutions

 130x36mm



Cold 5 1150lm 930 46° 5x2W BK w/o driver



SPECIFICATIONS	
Forward Voltage LED (max tp=25) (V)	15.0
Length (product) (mm)	137.0
Width (product) (mm)	44.0
Height (product) (mm)	52.0
Weight (product) (kg)	0.32