
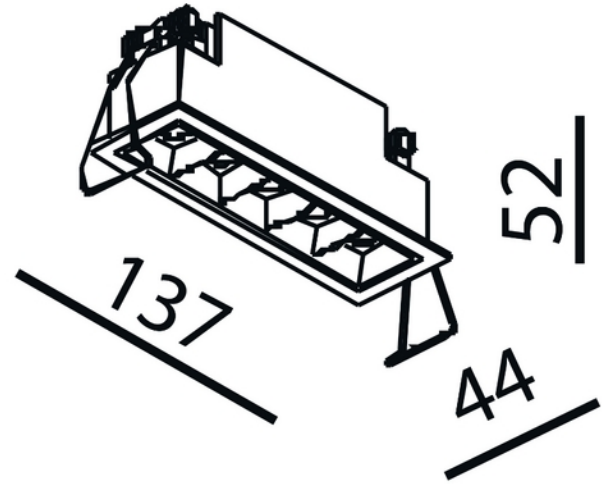


**FDV DOCUMENTATION**

Cold 5 1050lm 927 46° 5x2W WH w/o driver

Art.no: 1108-46-3

*Lighting Solutions* 130x36mm

## Cold 5 1050lm 927 46° 5x2W WH w/o driver



SPECIFICATIONS	
Forward Voltage LED (max tp=25) (V)	15.0
Length (product) (mm)	137.0
Width (product) (mm)	44.0
Height (product) (mm)	52.0
Weight (product) (kg)	0.32