
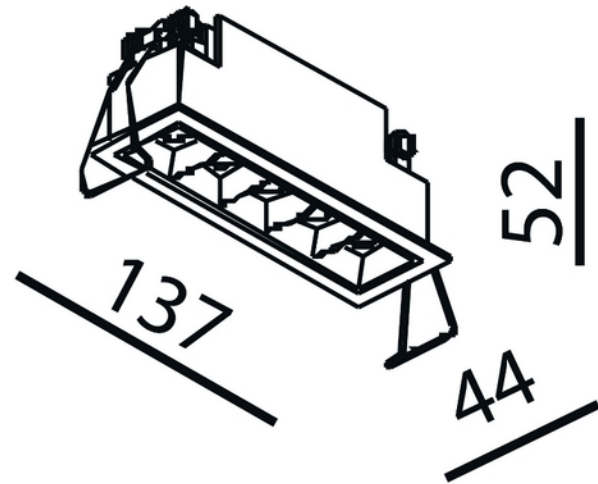


**PRODUCT DATA SHEET**

Cold 5 1050lm 927 46° 5x2W WH w/o driver

Art.no: 1108-46-3

*Lighting Solutions* 130x36mm

Cold 5 1050lm 927 46° 5x2W WH w/o driver



With its rectangular and recessed light source, Cold downlight has a unique design that is suitable for most rooms. Front ring is available in several different colors and can easily be replaced. Driver is not included. Please see accessories for recommended driver and alternative colors for front ring.

ELECTRICAL DATA	
Protection Class (system)	3
Dimming (system)	Depending on Driver
Voltage (system) [V]	230V 50Hz

TECHNICAL DATA	
IP (system)	IP20
Outdoor	No

PHOTOMETRIC DATA	
CRI / Ra (>=)	90

**PRODUCT DATA SHEET**

Cold 5 1050lm 927 46° 5x2W WH w/o driver

Art.no: 1108-46-3

*Lighting Solutions*

PHOTOMETRIC DATA	
CCT (Color Temperature) (K)	2700
Color Code	927
Lightsource Type	LED (built in)
Socket / Cap-Base	N/A
Lens (Diffuser)	None
Lifetime (h)	L80B10: 100 000
MacAdam (SDCM)	2
Manufacturer (light source)	Osram
Forward Current LED (min-max) (mA)	200 - 1800
Forward Voltage LED (max tp=25) (V)	15.0

DRIVER	
Manufacturer (driver)	No driver

DIMENSIONS	
Length (product) (mm)	137.0
Width (product) (mm)	44.0
Height (product) (mm)	52.0
Weight (product) (kg)	0.32

MATERIALS AND SURFACES	
Color	White
Housing Material	Aluminium
Housing Material %	89.0
Material 2%	1.7999999999999998
Material 3%	0.5
Material 4%	0.8999999999999999
Material 5%	1.3
Material 6%	1.9
Material 7%	4.6

INSTALLATION AND CONNECTION	
Areas of use	Bathroom, Cafe, Cottage, Generally, Hotel, Residence, Shop
Mounting	Recessed, Ceiling



PRODUCT DATA SHEET

Cold 5 1050lm 927 46° 5x2W WH w/o driver

Art.no: 1108-46-3



Lighting Solutions

INSTALLATION AND CONNECTION

Connection (system)	Depending on driver
---------------------	---------------------

ENERGY AND CERTIFICATIONS

CE mark	Yes
EPD number	NEPD-14537-15050