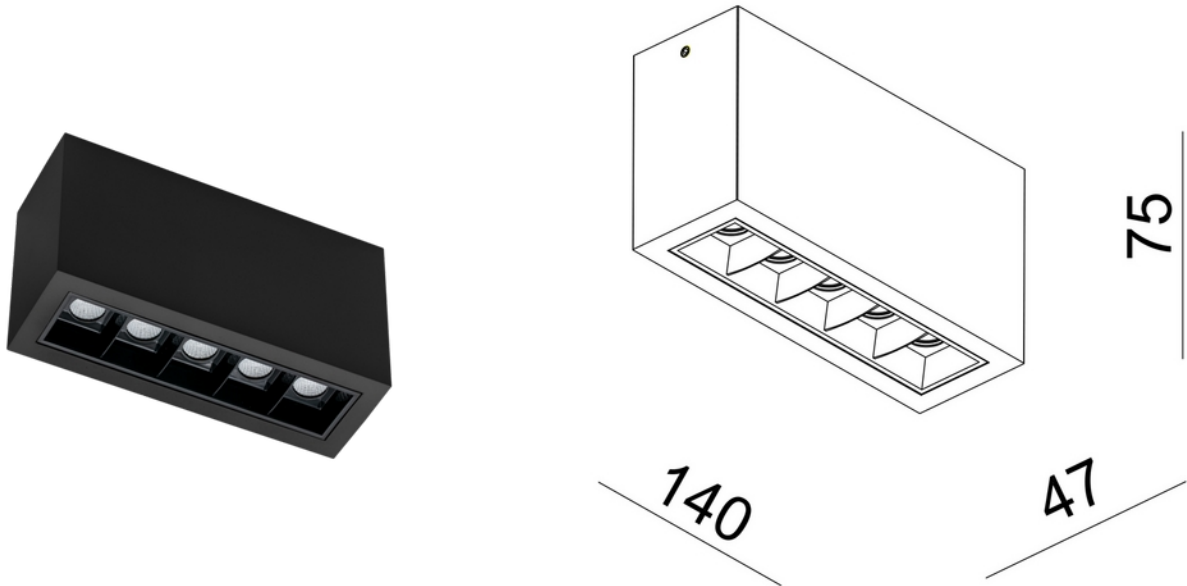


**PRODUCT DATA SHEET**

Cold 5 Surface 1150lm 930 30° 5x2W BK Phasecut
Art.no: 1120-30-2



Lighting Solutions



Cold 5 Surface 1150lm 930 30° 5x2W BK Phasecut



With its rectangular and recessed light source, Cold surface downlight has a unique design that is suitable for most rooms. Front ring is available in several different colors and can easily be replaced.

ELECTRICAL DATA	
Protection Class (system)	1
Dimming (system)	Phase-Cut
Voltage (system) [V]	230V 50Hz

TECHNICAL DATA	
IP (system)	IP20
Outdoor	No

PHOTOMETRIC DATA	
CRI / Ra (>=)	90
CCT (Color Temperature) (K)	3000

**PRODUCT DATA SHEET**

Cold 5 Surface 1150lm 930 30° 5x2W BK Phasecut
Art.no: 1120-30-2



Lighting Solutions

Color Code	930
Lightsource Type	LED (built in)
Socket / Cap-Base	N/A
Lens (Diffuser)	None
Lifetime (h)	L80B10: 100 000
MacAdam (SDCM)	2
UGR (<=)	13
Manufacturer (light source)	Osram
Forward Current LED (min-max) (mA)	200 - 1800
Forward Voltage LED (max tp=25) (V)	15.0

DRIVER	
Flicker-free	Yes

DIMENSIONS	
Length (product) (mm)	140.0
Width (product) (mm)	47.0
Height (product) (mm)	75.0

MATERIALS AND SURFACES	
Color	Black
Housing Material	Aluminium
Housing Material %	89.0

INSTALLATION AND CONNECTION	
Areas of use	Bathroom, Cafe, Cottage, Generally, Hotel, Residence, Shop
Mounting	Surface, Ceiling
Connection (system)	Terminal

ENERGY AND CERTIFICATIONS	
CE mark	Yes