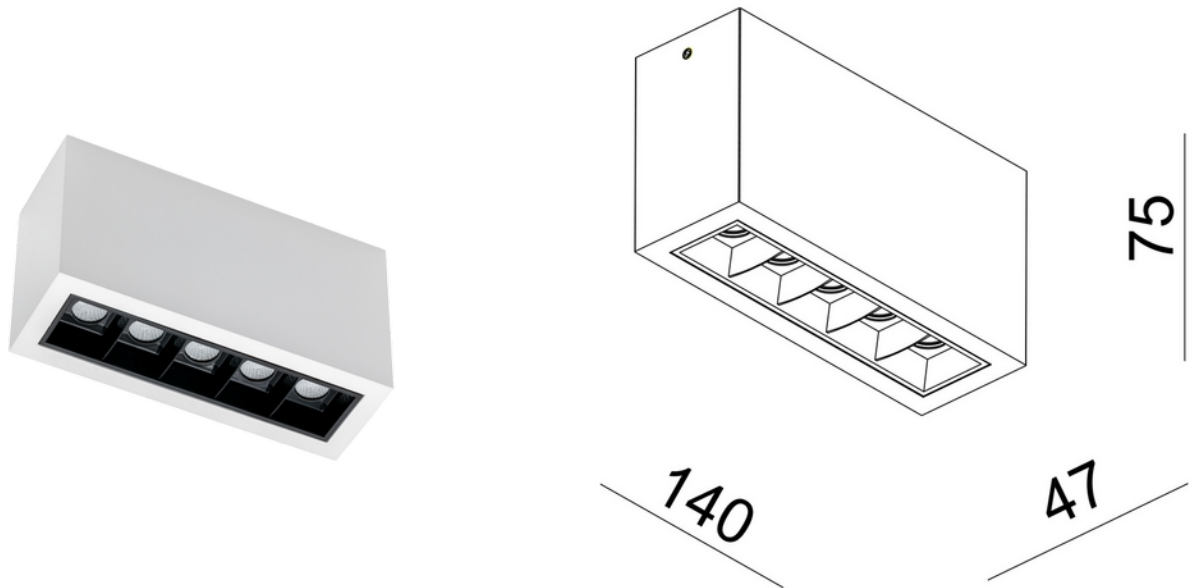


**PRODUCT DATA SHEET**

Cold 5 Surface 1150lm 930 30° 5x2W WH Phasecut

Art.no: 1120-30-3

*Lighting Solutions*

Cold 5 Surface 1150lm 930 30° 5x2W WH Phasecut



With its rectangular and recessed light source, Cold surface downlight has a unique design that is suitable for most rooms. Front ring is available in several different colors and can easily be replaced.

ELECTRICAL DATA	
Protection Class (system)	1
Dimming (system)	Phase-Cut
Voltage (system) [V]	230V 50Hz

TECHNICAL DATA	
IP (system)	IP20
Outdoor	No

PHOTOMETRIC DATA	
CRI / Ra (>=)	90
CCT (Color Temperature) (K)	3000

**PRODUCT DATA SHEET**

Cold 5 Surface 1150lm 930 30° 5x2W WH Phasecut

Art.no: 1120-30-3

*Lighting Solutions*

Color Code	930
Lightsource Type	LED (built in)
Socket / Cap-Base	N/A
Lens (Diffuser)	None
Lifetime (h)	L80B10: 100 000
MacAdam (SDCM)	2
Manufacturer (light source)	Osram
Forward Current LED (min-max) (mA)	200 - 1800
Forward Voltage LED (max tp=25) (V)	15.0

DIMENSIONS	
Length (product) (mm)	140.0
Width (product) (mm)	47.0
Height (product) (mm)	75.0

MATERIALS AND SURFACES	
Color	White

INSTALLATION AND CONNECTION	
Areas of use	Bathroom, Cafe, Cottage, Generally, Hotel, Residence, Shop
Mounting	Surface, Ceiling
Connection (system)	Terminal

ENERGY AND CERTIFICATIONS	
CE mark	Yes