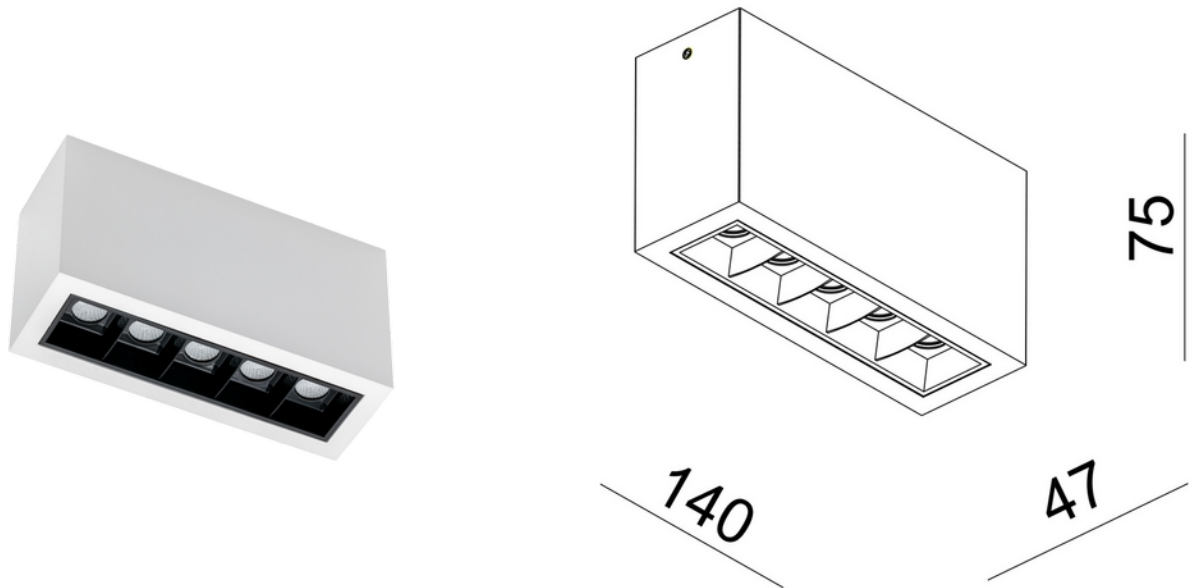


**PRODUCT DATA SHEET**

Cold 5 Surface 1150lm 927 30° 5x2W WH Phasecut

Art.no: 1121-30-3

*Lighting Solutions*

Cold 5 Surface 1150lm 927 30° 5x2W WH Phasecut



With its rectangular and recessed light source, Cold surface downlight has a unique design that is suitable for most rooms. Front ring is available in several different colors and can easily be replaced.

| ELECTRICAL DATA | |
|---------------------------|-----------|
| Protection Class (system) | 1 |
| Dimming (system) | Phase-Cut |
| Voltage (system) [V] | 230V 50Hz |

| TECHNICAL DATA | |
|----------------|------|
| IP (system) | IP20 |
| Outdoor | No |

| PHOTOMETRIC DATA | |
|--------------------------|----|
| Efficacy (system) (lm/W) | 81 |
| CRI / Ra (>=) | 90 |

**PRODUCT DATA SHEET**

Cold 5 Surface 1150lm 927 30° 5x2W WH Phasecut
Art.no: 1121-30-3



Lighting Solutions

| | |
|-------------------------------------|-----------------|
| CCT (Color Temperature) (K) | 2700 |
| Color Code | 927 |
| Lightsource Type | LED (built in) |
| Socket / Cap-Base | N/A |
| Lens (Diffuser) | None |
| Lifetime (h) | L80B10: 100 000 |
| MacAdam (SDCM) | 2 |
| UGR (<=) | 13 |
| Manufacturer (light source) | Osram |
| Forward Current LED (min-max) (mA) | 200 - 1800 |
| Forward Voltage LED (max tp=25) (V) | 15.0 |

DIMENSIONS

| | |
|-----------------------|-------|
| Length (product) (mm) | 140.0 |
| Width (product) (mm) | 47.0 |
| Height (product) (mm) | 75.0 |

MATERIALS AND SURFACES

| | |
|-------|-------|
| Color | White |
|-------|-------|

INSTALLATION AND CONNECTION

| | |
|---------------------|--|
| Areas of use | Bathroom, Cafe, Cottage, Generally, Hotel, Residence, Shop |
| Mounting | Surface, Ceiling |
| Connection (system) | Terminal |

ENERGY AND CERTIFICATIONS

| | |
|---------|-----|
| CE mark | Yes |
|---------|-----|