

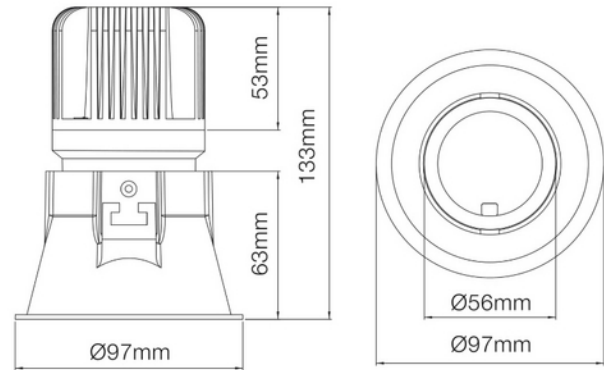
**PRODUCT DATA SHEET**

Trimo Micro 2150lm 830 30° 13W WH 18i5 Dali

Art.no: 18015-7-30-3-ddd

*Lighting Solutions*

90mm



Trimo Micro 2150lm 830 30° 13W WH 18i5 Dali



Tired of downlights giving obtrusive light? This particular model requires a hole dimension of only 90mm. This makes it very versatile with a minimum of stray light, this is accomplished by using a recessed LED light source. The Trimo Micro has a 18i3 connector and can be supplied with a variety of connector solutions.

ELECTRICAL DATA	
Protection Class (system)	2
Dimming (system)	DALI
Voltage (system) [V]	230V 50Hz

TECHNICAL DATA	
IP (system)	IP20
Outdoor	No

PHOTOMETRIC DATA	
Efficacy (system) (lm/W)	86

**PRODUCT DATA SHEET**

Trimo Micro 2150lm 830 30° 13W WH 18i5 Dali
Art.no: 18015-7-30-3-ddd



Lighting Solutions

PHOTOMETRIC DATA	
CRI / Ra (>=)	80
CCT (Color Temperature) (K)	3000
Color Code	830
Lightsource Type	LED (built in)
Socket / Cap-Base	N/A
Lens (Diffuser)	Clear
Lifetime (h)	L80B10: 50.000
MacAdam (SDCM)	3
Manufacturer (light source)	Tridonic
Forward Current LED (min-max) (mA)	150 - 900
Forward Voltage LED (max tp=25) (V)	36.3
Driftspenning LED (min tp=65) (V)	31.7

DRIVER	
Manufacturer (driver)	Osram
Protection Class (driver)	1 or 2
Max Output Voltage (V)	60
Dimming (driver)	DALI
Dimming output type	Amplitude Modulation
IP (driver)	IP20
Expected Lifetime (driver) (h)	100000
Constant current or voltage (CC or CV)	CC
CC (driver) [mA]	150 - 1050
Current setting (driver)	DALI
CC (forward voltage driver) (V)	7.5 - 54.0
Output Current Tolerance (%)	3.0
Current Ripple (%)	2.0
Max load pr circuit - B10	82
Max load pr circuit - B16	130
Max load pr circuit - C10	90
Max load pr circuit - C16	144
Inrush current time (µs)	100.0
Inrush current I _{max} (A)	5.0

**PRODUCT DATA SHEET**

Trimo Micro 2150lm 830 30° 13W WH 18i5 Dali
Art.no: 18015-7-30-3-ddd



Lighting Solutions

DIMENSIONS	
Width (product) (mm)	95.0
Height (product) (mm)	140.0
Weight (product) (kg)	0.65

MATERIALS AND SURFACES	
Color	White

INSTALLATION AND CONNECTION	
Areas of use	Generally, Hotel, Shop
Mounting	Recessed, Ceiling
Connection (system)	18i5 DALI Quick connection

ENERGY AND CERTIFICATIONS	
CE mark	Yes
Energy Efficiency Class	A++ - A

ALTERNATIVE DRIVERS	
Current Setting (mA) ?	350

LIGHT DISTRIBUTION