

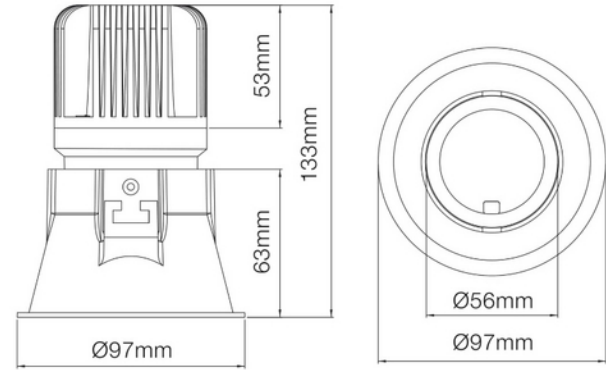
**FDV DOCUMENTATION**

Trimo Micro 2150lm 830 40° 13W WH 18i3

Art.no: 18015-7-40-3

*Lighting Solutions*

90mm



## Trimo Micro 2150lm 830 40° 13W WH 18i3



SPECIFICATIONS	
Forward Voltage LED (max tp=25) (V)	36.3
Forward Voltage LED (min tp=65) (V)	31.7
CC (forward voltage driver) (V)	44.0
Inrush current time (µs)	100.0
Inrush current I <sub>max</sub> (A)	5.0
Width (product) (mm)	95.0
Height (product) (mm)	140.0
Weight (product) (kg)	0.65



**FDV DOCUMENTATION**

Trimo Micro 2150lm 830 40° 13W WH 18i3

Art.no: 18015-7-40-3



*Lighting Solutions*

**LIGHT DISTRIBUTION**

