

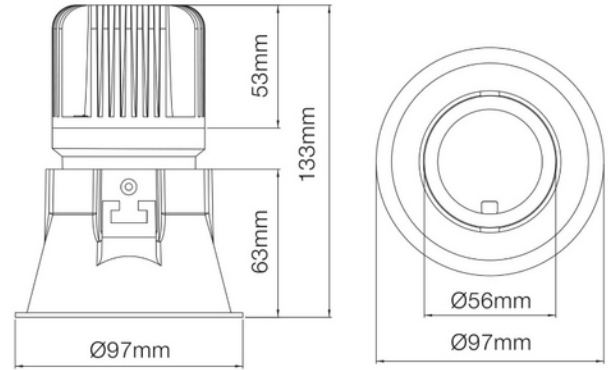
**PRODUCT DATA SHEET**

Trimo Micro 2150lm 830 40° 13W WH 18i3

Art.no: 18015-7-40-3

*Lighting Solutions*

90mm



## Trimo Micro 2150lm 830 40° 13W WH 18i3



Tired of downlights giving obtrusive light? This particular model requires a hole dimension of only 90mm. This makes it very versatile with a minimum of stray light, this is accomplished by using a recessed LED light source. The Trimo Micro has a 18i3 connector and can be supplied with a variety of connector solutions.

ELECTRICAL DATA	
Protection Class (system)	2
Dimming (system)	None
Voltage (system) [V]	230V 50Hz

TECHNICAL DATA	
IP (system)	IP20
Outdoor	No

PHOTOMETRIC DATA	
Efficacy (system) (lm/W)	88

**PRODUCT DATA SHEET**

Trimo Micro 2150lm 830 40° 13W WH 18i3

Art.no: 18015-7-40-3

*Lighting Solutions*

PHOTOMETRIC DATA	
CRI / Ra (>=)	80
CCT (Color Temperature) (K)	3000
Color Code	830
Lightsource Type	LED (built in)
Socket / Cap-Base	N/A
Lens (Diffuser)	Clear
Lifetime (h)	L80B10: 50.000
MacAdam (SDCM)	3
Manufacturer (light source)	Tridonic
Forward Current LED (min-max) (mA)	150 - 900
Forward Voltage LED (max tp=25) (V)	36.3
Driftspenning LED (min tp=65) (V)	31.7

DRIVER	
Manufacturer (driver)	Tridonic
Protection Class (driver)	1 or 2
Max Output Voltage (V)	60
IP (driver)	IP20
Expected Lifetime (driver) (h)	50000
Constant current or voltage (CC or CV)	CC
CC (driver) [mA]	350 - null
CC (forward voltage driver) (V)	21.4 - 44.0
Output Current Tolerance (%)	7.5
Current Ripple (%)	15.0
Max load pr circuit - B10	72
Max load pr circuit - B16	115
Max load pr circuit - C10	90
Max load pr circuit - C16	144
Inrush current time ( $\mu$ s)	100.0
Inrush current I <sub>max</sub> (A)	5.0

DIMENSIONS	
Width (product) (mm)	95.0
Height (product) (mm)	140.0
Weight (product) (kg)	0.65

**PRODUCT DATA SHEET**

Trimo Micro 2150lm 830 40° 13W WH 18i3

Art.no: 18015-7-40-3

*Lighting Solutions***MATERIALS AND SURFACES**

Color	White
-------	-------

**INSTALLATION AND CONNECTION**

Areas of use	Generally, Hotel, Shop
Mounting	Recessed, Ceiling
Connection (system)	18i3 Quick connection

**ENERGY AND CERTIFICATIONS**

CE mark	Yes
Energy Efficiency Class	A++ - A

**ALTERNATIVE DRIVERS**

Current Setting (mA) ?	350
------------------------	-----

**LIGHT DISTRIBUTION**