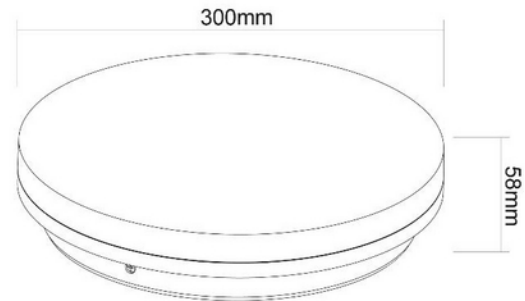


**FDV DOCUMENTATION**

Pollux 1750lm 830/840/857 Switch 120° 18W WH IP54

Art.no: 2112-120-3

*Lighting Solutions*

Pollux 1750lm 830/840/857 Switch 120° 18W WH IP54



SPECIFICATIONS	
CC (forward voltage driver) (V)	80.0
Inrush current time (μ s)	12.0
Inrush current I _{max} (A)	19.6
Width (product) (mm)	300.0
Height (product) (mm)	58.0
Weight (product) (kg)	1.05



FDV DOCUMENTATION

Pollux 1750lm 830/840/857 Switch 120° 18W WH IP54

Art.no: 2112-120-3



Lighting Solutions

LIGHT DISTRIBUTION

