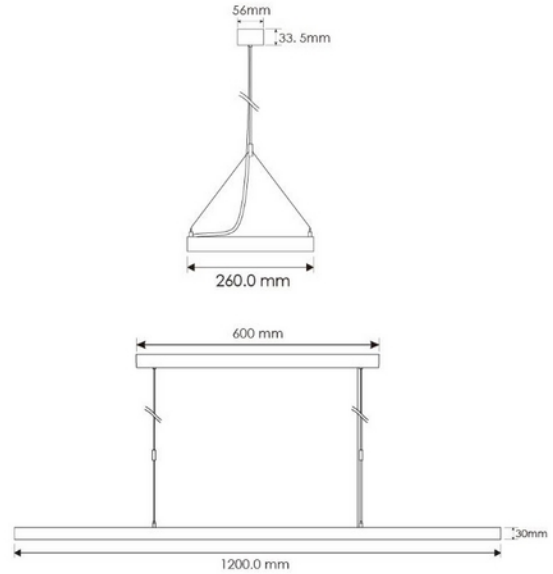


**FDV DOCUMENTATION**

Maia 6000lm 830 75° 60W Silver DALI

Art.no: 2180-120-1-ddd

*Lighting Solutions*

Maia 6000lm 830 75° 60W Silver DALI



SPECIFICATIONS	
Operating temperature (°C)	45
Forward Voltage LED (max tp=25) (V)	3.3
Forward Voltage LED (min tp=65) (V)	2.9
CC (driver) [mA]	2000
CC (forward voltage driver) (V)	35.0
Inrush current time (µs)	214.0
Inrush current I _{max} (A)	8.5
Length (product) (mm)	1200.0
Width (product) (mm)	260.0
Height (product) (mm)	30.0
Weight (product) (kg)	23.5



FDV DOCUMENTATION
Maia 6000lm 830 75° 60W Silver DALI
Art.no: 2180-120-1-ddd



Lighting Solutions

LIGHT DISTRIBUTION

