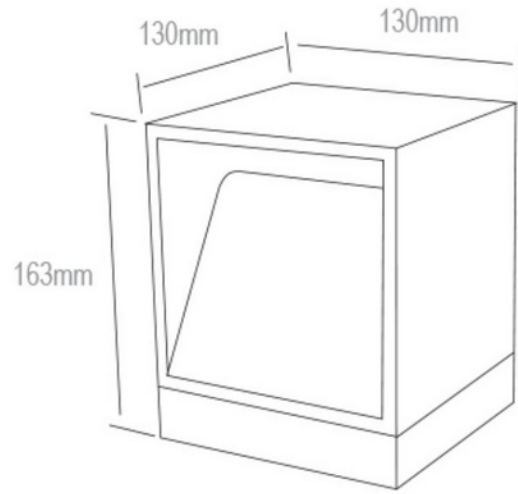


**PRODUCT DATA SHEET**

Cubic LED 390lm 830 9W outdoor floor IP56 Anthracite Dim.  
 Art.no: 2313-1-5

*Lighting Solutions*

## Cubic LED 390lm 830 9W outdoor floor IP56 Anthracite Dim.



ELECTRICAL DATA	
Protection Class (system)	2
Dimming (system)	Phase-Cut
Voltage (system) [V]	230V 50Hz

TECHNICAL DATA	
IP (system)	IP65
Outdoor	Yes

PHOTOMETRIC DATA	
Efficacy (system) (lm/W)	34
CRI / Ra (>=)	80
CCT (Color Temperature) (K)	3000
Color Code	830

**PRODUCT DATA SHEET**

Cubic LED 390lm 830 9W outdoor floor IP56 Anthracite Dim.

Art.no: 2313-1-5

*Lighting Solutions*

PHOTOMETRIC DATA	
Lightsource Type	LED (built in)
Lens (Diffuser)	Clear
Manufacturer (light source)	Citizen

DRIVER	
Manufacturer (driver)	AcTEC
Protection Class (driver)	2
Max Output Voltage (V)	55
Dimming (driver)	Phase-Cut
Dimming Minimum Level (%)	1.0
Dimming Phasecut Type	Leading / Trailing edge
IP (driver)	IP65
Expected Lifetime (driver) (h)	30000
Constant current or voltage (CC or CV)	CC
CC (driver) [mA]	260 - null
CC (forward voltage driver) (V)	23.0 - 46.0
Output Current Tolerance (%)	5.0
Current Ripple (%)	50.0
Max load pr circuit - B10	35
Max load pr circuit - B16	56
Max load pr circuit - C10	74
Max load pr circuit - C16	118
Leakage current (mA)	0.7
Inrush current time ( $\mu$ s)	300.0
Inrush current I <sub>max</sub> (A)	5.0

DIMENSIONS	
Length (product) (mm)	130.0
Width (product) (mm)	130.0
Height (product) (mm)	163.0
Weight (product) (kg)	2.45

INSTALLATION AND CONNECTION	
Areas of use	Garden, Outdoor, Residence
Mounting	Ground

**PRODUCT DATA SHEET**

Cubic LED 390lm 830 9W outdoor floor IP56 Anthracite Dim.

Art.no: 2313-1-5

*Lighting Solutions***INSTALLATION AND CONNECTION**

Connection (system)	Cable 1.5m
---------------------	------------

**ENERGY AND CERTIFICATIONS**

CE mark	Yes
Energy Efficiency Class	A++

**ALTERNATIVE DRIVERS**

Current Setting Existing Driver	260 - null
---------------------------------	------------

**LIGHT DISTRIBUTION**