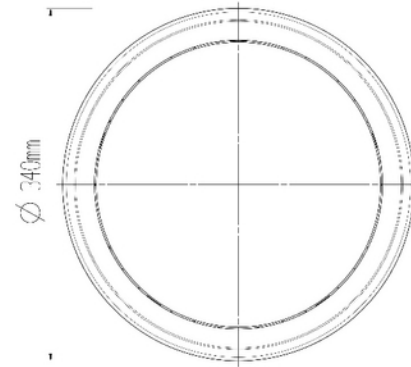


**FDV DOCUMENTATION**

Ancha Round 2500lm 830 110° 30W Dark Grey Quickconnect

Art.no: 2350-110-7

*Lighting Solutions*

Ancha Round 2500lm 830 110° 30W Dark Grey Quickconnect



SPECIFICATIONS	
Operating temperature (°C)	50
Forward Voltage LED (max tp=25) (V)	43.0
Forward Voltage LED (min tp=65) (V)	39.0
CC (forward voltage driver) (V)	42.0
Inrush current time (µs)	125.0
Inrush current I _{max} (A)	10.0
Width (product) (mm)	340.0
Height (product) (mm)	50.0
Weight (product) (kg)	1.77



FDV DOCUMENTATION

Ancha Round 2500lm 830 110° 30W Dark Grey Quickconnect

Art.no: 2350-110-7



Lighting Solutions

LIGHT DISTRIBUTION

