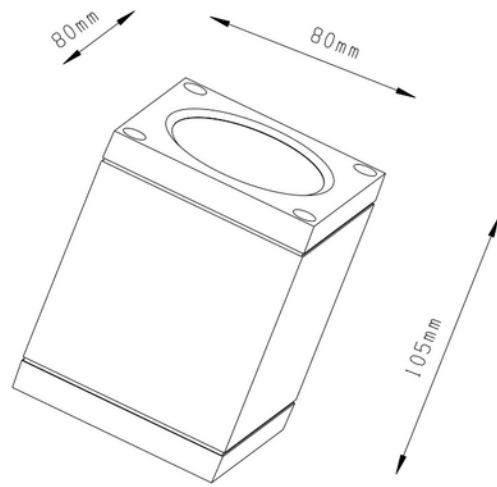
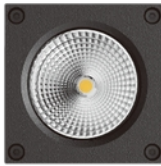


**FDV DOCUMENTATION**

Gemma Square Downlight 550lm 830 45° 6W Surf D.Grey Phasecut

Art.no: 2375-2-45-7

*Lighting Solutions*

Gemma Square Downlight 550lm 830 45° 6W Surf D.Grey Phasecut

**A**

SPECIFICATIONS	
Forward Voltage LED (max tp=25) (V)	12.0
Forward Voltage LED (min tp=65) (V)	9.0
Length (product) (mm)	80.0
Width (product) (mm)	80.0
Height (product) (mm)	105.0
Weight (product) (kg)	0.36



FDV DOCUMENTATION

Gemma Square Downlight 550lm 830 45° 6W Surf D.Grey Phasecut

Art.no: 2375-2-45-7



Lighting Solutions

LIGHT DISTRIBUTION

