



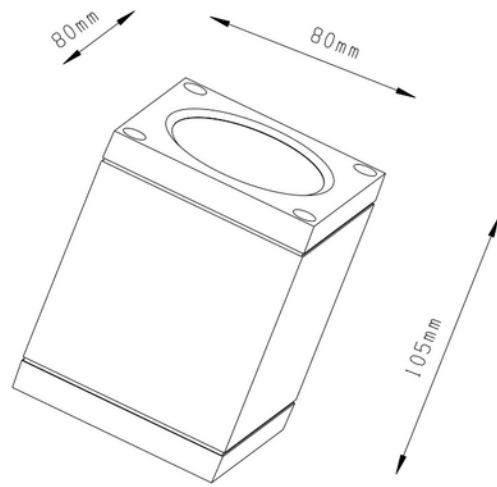
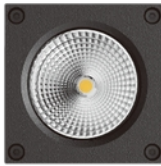
PRODUCT DATA SHEET

Gemma Square Downlight 550lm 830 45° 6W Surf D.Grey Phasecut

Art.no: 2375-2-45-7



Lighting Solutions



Gemma Square Downlight 550lm 830 45° 6W Surf D.Grey Phasecut



ELECTRICAL DATA	
Protection Class (system)	1
Dimming (system)	Phase-Cut
Voltage (system) [V]	230V 50Hz

TECHNICAL DATA	
IP (system)	IP65
Outdoor	Yes

PHOTOMETRIC DATA	
Efficacy (system) (lm/W)	29
CRI / Ra (>=)	80

**PRODUCT DATA SHEET**

Gemma Square Downlight 550lm 830 45° 6W Surf D.Grey Phasecut

Art.no: 2375-2-45-7

*Lighting Solutions*

PHOTOMETRIC DATA	
CCT (Color Temperature) (K)	3000
Color Code	830
Lightsource Type	LED (built in)
Lens (Diffuser)	Clear
Forward Voltage LED (max tp=25) (V)	12.0
Driftspenning LED (min tp=65) (V)	9.0

DIMENSIONS	
Length (product) (mm)	80.0
Width (product) (mm)	80.0
Height (product) (mm)	105.0
Weight (product) (kg)	0.36

MATERIALS AND SURFACES	
RAL Code	RAL7024

INSTALLATION AND CONNECTION	
Areas of use	Cottage, Outdoor, Residence
Mounting	Surface, Ceiling
Connection (system)	Terminal

ENERGY AND CERTIFICATIONS	
CE mark	Yes
Energy Efficiency Class	A



PRODUCT DATA SHEET

Gemma Square Downlight 550lm 830 45° 6W Surf D.Grey Phasecut

Art.no: 2375-2-45-7



Lighting Solutions

LIGHT DISTRIBUTION

