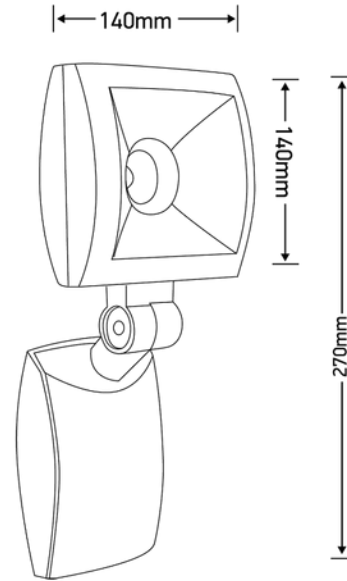


**PRODUCT DATA SHEET**

Kaus 1220lm 830 30° 12W Quickconnect Dark Grey
Art.no: 2540-30-7



Lighting Solutions



Kaus 1220lm 830 30° 12W Quickconnect Dark Grey



Kaus is an IP54 luminaire with motion sensor and quickconnect for easy installation.

ELECTRICAL DATA	
Protection Class (system)	1
Dimming (system)	Sensor (PIR)
Voltage (system) [V]	230V 50Hz

TECHNICAL DATA	
IK (system)	IK08
IP (system)	IP54
Outdoor	Yes
Operating temperature (°C)	-20 - 50

PHOTOMETRIC DATA	
Efficacy (system) (lm/W)	72

**PRODUCT DATA SHEET**

Kaus 1220lm 830 30° 12W Quickconnect Dark Grey

Art.no: 2540-30-7

*Lighting Solutions*

PHOTOMETRIC DATA	
CRI / Ra (>=)	80
CCT (Color Temperature) (K)	3000
Color Code	830
Socket / Cap-Base	N/A
Lens (Diffuser)	Clear
Forward Voltage LED (max tp=25) (V)	38.0
Driftspenning LED (min tp=65) (V)	32.0

DRIVER	
Protection Class (driver)	2
IP (driver)	IP20
Expected Lifetime (driver) (h)	30000
Constant current or voltage (CC or CV)	CC
CC (driver) [mA]	300 - null
CC (forward voltage driver) (V)	20.5 - 34.5
Output Current Tolerance (%)	5.0
Current Ripple (%)	120.0
Max load pr circuit - B10	17
Max load pr circuit - B16	26
Max load pr circuit - C10	29
Max load pr circuit - C16	47
Leakage current (mA)	0.5
Inrush current time (µs)	125.0
Inrush current I _{max} (A)	15.0

DIMENSIONS	
Length (product) (mm)	270.0
Width (product) (mm)	140.0
Height (product) (mm)	140.0
Weight (product) (kg)	1.34

MATERIALS AND SURFACES	
Color	Dark Grey



PRODUCT DATA SHEET

Kaus 1220lm 830 30° 12W Quickconnect Dark Grey
Art.no: 2540-30-7



Lighting Solutions

INSTALLATION AND CONNECTION	
Areas of use	Cottage, Facade, Generally, Outdoor, Residence
Mounting	Surface, Wall
Connection (system)	QuickConnect

ENERGY AND CERTIFICATIONS	
CE mark	Yes
Energy Efficiency Class	A+

LIGHT DISTRIBUTION

