

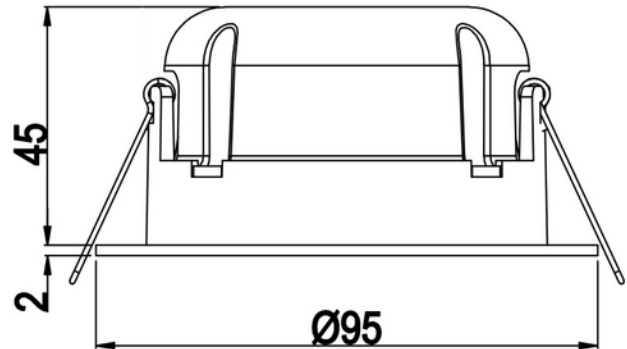
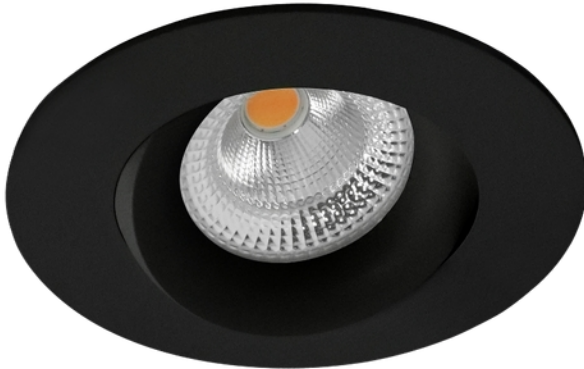
**FDV DOCUMENTATION**

Tigrus 360° 550lm 7W 927 36° BK Phasecut Isosafe

Art.no: 25927-36-2

*Lighting Solutions*

80-83mm



Tigrus 360° 550lm 7W 927 36° BK Phasecut Isosafe



SPECIFICATIONS	
Operating temperature (°C)	45
Forward Voltage LED (max tp=25) (V)	17.5
Forward Voltage LED (min tp=65) (V)	12.0
CC (driver) [mA]	367
CC (forward voltage driver) (V)	26.0
Inrush current time (µs)	100.0
Inrush current I _{max} (A)	5.0
Width (product) (mm)	95.0
Height (product) (mm)	47.0
Weight (product) (kg)	0.397222222222222
Diameter (product) (mm)	95.0



FDV DOCUMENTATION

Tigrus 360° 550lm 7W 927 36° BK Phasecut Isosafe

Art.no: 25927-36-2



Lighting Solutions

LIGHT DISTRIBUTION

