

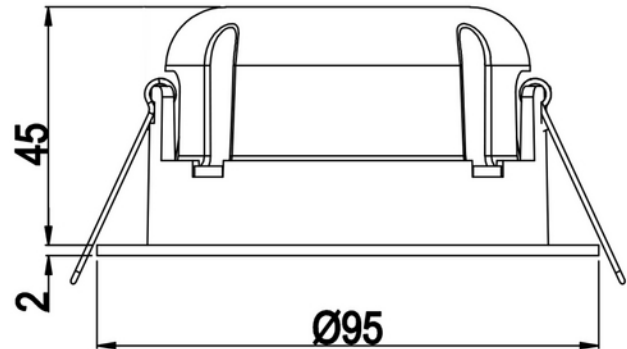
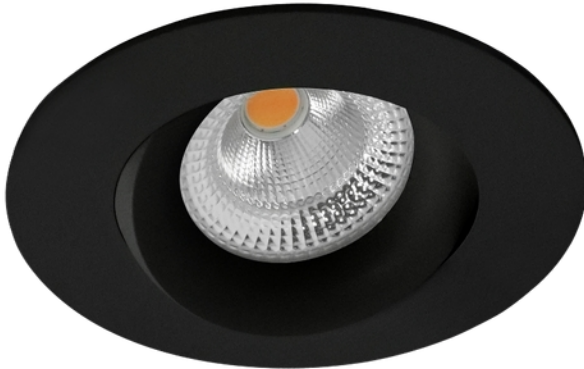
**PRODUCT DATA SHEET**

Tigrus 360° 550lm 7W 927 36° BK Phasecut Isosafe

Art.no: 25927-36-2

*Lighting Solutions*

80-83mm



Tigrus 360° 550lm 7W 927 36° BK Phasecut Isosafe



Tigrus 360° Rotatable can be mounted directly in insulation. Downlight have CRI>95 and are delivered with 2700K or Dim2Warm. The downlight can be tilted 25° and it's 360° rotatable. The luminaire connects easily without using a screwdriver. Cut-out 80-83mm.

| ELECTRICAL DATA | |
|---------------------------|--------------------|
| Protection Class (system) | 2 |
| Dimming (system) | Phase-Cut |
| Voltage (system) [V] | 230V 50Hz |
| Emergency light (h) | No Emergency light |

| TECHNICAL DATA | |
|------------------------|---------|
| IK (system) | IK02 |
| IP (system) | IP44 |
| IP Front/Back (system) | IP40/20 |
| Outdoor | No |

**PRODUCT DATA SHEET**

Tigrus 360° 550lm 7W 927 36° BK Phasecut Isosafe

Art.no: 25927-36-2

*Lighting Solutions*

| TECHNICAL DATA | |
|----------------------------|----------|
| Operating temperature (°C) | -20 - 45 |

| PHOTOMETRIC DATA | |
|-------------------------------------|----------------------|
| Efficacy (system) (lm/W) | 79 |
| CRI / Ra (>=) | 95 |
| CCT (Color Temperature) (K) | 2700 |
| Color Code | 927 |
| Lightsource Type | LED (built in) |
| Socket / Cap-Base | N/A |
| Lens (Diffuser) | Clear |
| Lifetime (h) | L80: 100 000 |
| MacAdam (SDCM) | 3 |
| UGR (<=) | 23 |
| Manufacturer (light source) | Sunpu |
| Manufacture Description (COB) | GP16-272F0305-1005VA |
| Forward Current LED (min-max) (mA) | 200 - 450 |
| Forward Voltage LED (max tp=25) (V) | 17.5 |
| Driftspenning LED (min tp=65) (V) | 12.0 |

| DRIVER | |
|--|-------------------------|
| Manufacturer (driver) | AcTEC |
| Protection Class (driver) | 2 |
| Standby power P _{sb} (W) < | 0.5 |
| Flicker metric (P _{st} LM) < | 1.0 |
| Stroboscopic effect metric (SVM) < | 0.4 |
| Max Output Voltage (V) | 26 |
| Dimming (driver) | Phase-Cut |
| Dimming Minimum Level (%) | 1.0 |
| Dimming Phasecut Type | Leading / Trailing edge |
| Dimming output type | Amplitude Modulation |
| IP (driver) | IP20 |
| Expected Lifetime (driver) (h) | 50000 |
| Flicker-free | Yes |
| Max Switching Cycles | 100000 |
| Constant current or voltage (CC or CV) | CC |

**PRODUCT DATA SHEET**

Tigrus 360° 550lm 7W 927 36° BK Phasecut Isosafe

Art.no: 25927-36-2

*Lighting Solutions*

| DRIVER | |
|-------------------------------------|-------------|
| CC (driver) [mA] | 332 - 367 |
| Current setting (driver) | None |
| CC (forward voltage driver) (V) | 13.0 - 26.0 |
| CV (driver) [V] | 15 |
| Output Current Tolerance (%) | 5.0 |
| Current Ripple (%) | 5.0 |
| Max load pr circuit - B10 | 35 |
| Max load pr circuit - B16 | 182 |
| Max load pr circuit - C10 | 280 |
| Max load pr circuit - C16 | 448 |
| Max load pr circuit - C20 | 560 |
| Max load pr circuit - C25 | 700 |
| Max load pr circuit - C32 | 800 |
| Leakage current (mA) | 5.0 |
| Inrush current time (µs) | 100.0 |
| Inrush current I _{max} (A) | 5.0 |

| DIMENSIONS | |
|-------------------------|--------------------|
| Width (product) (mm) | 95.0 |
| Height (product) (mm) | 47.0 |
| Weight (product) (kg) | 0.3972222222222222 |
| Diameter (product) (mm) | 95.0 |

| MATERIALS AND SURFACES | |
|------------------------|--------------------|
| Color | Black |
| RAL Code | RAL9005 |
| Corrosion Class | C1 |
| Surface treatment | Powdercoated |
| Housing Material | Aluminium |
| Housing Material % | 53.800000000000004 |
| Diffuser Material | Aluminium |
| Diffuser Material% | 1.2 |
| Material 2% | 14.7 |
| Material 4% | 1.2 |
| Material 5% | 0.05 |



PRODUCT DATA SHEET

Tigrus 360° 550lm 7W 927 36° BK Phasecut Isosafe
Art.no: 25927-36-2



Lighting Solutions

| MATERIALS AND SURFACES | |
|------------------------|--------------------|
| Material 6% | 2.1999999999999997 |
| Material 7% | 26.85 |

| INSTALLATION AND CONNECTION | |
|-----------------------------|--------------|
| Areas of use | Generally |
| Mounting | Recessed |
| Connection (system) | QuickConnect |

| ENERGY AND CERTIFICATIONS | |
|---------------------------|-----|
| Energy Class EPREL | F |
| CE mark | Yes |
| Energy Efficiency Class | A+ |

LIGHT DISTRIBUTION

