
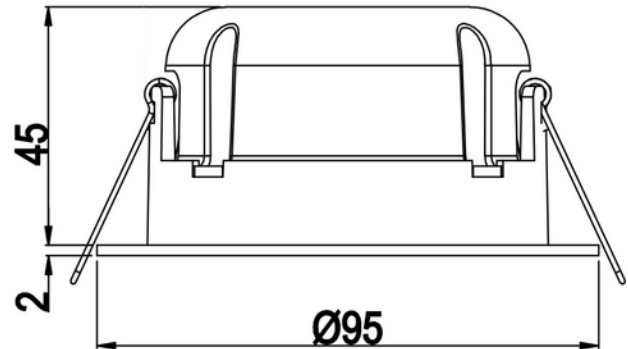
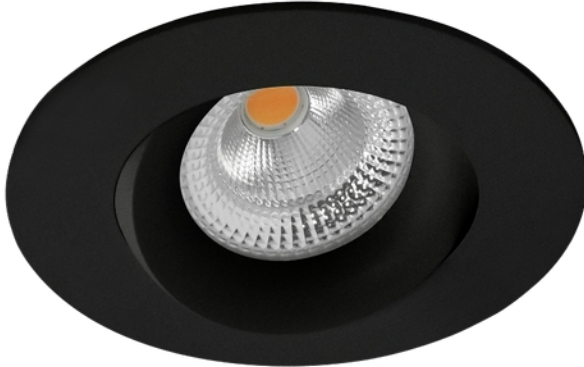


**FDV DOCUMENTATION**

Tigrus 360° 500lm 8W D2W 930-918 36° BK Phasecut Isosafe
 Art.no: 25927-D2W-36-2

*Lighting Solutions*
 80-83mm


Tigrus 360° 500lm 8W D2W 930-918 36° BK Phasecut Isosafe



SPECIFICATIONS	
Operating temperature (°C)	45
Forward Voltage LED (max tp=25) (V)	18.8
Forward Voltage LED (min tp=65) (V)	15.5
CC (driver) [mA]	367
CC (forward voltage driver) (V)	26.0
Inrush current time (µs)	100.0
Inrush current I _{max} (A)	5.0
Length (product) (mm)	47.0
Width (product) (mm)	95.0
Height (product) (mm)	47.0
Weight (product) (kg)	0.3944444444444444
Diameter (product) (mm)	95.0



FDV DOCUMENTATION

Tigrus 360° 500lm 8W D2W 930-918 36° BK Phasecut Isosafe

Art.no: 25927-D2W-36-2



Lighting Solutions

LIGHT DISTRIBUTION

