

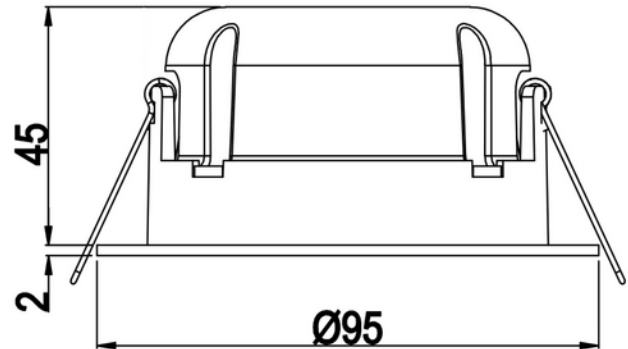
**PRODUCT DATA SHEET**

Tigrus 360° 500lm 8W D2W 930-918 36° WH Phasecut Isosafe

Art.no: 25927-D2W-36-3

*Lighting Solutions*

80-83mm



Tigrus 360° 500lm 8W D2W 930-918 36° WH Phasecut Isosafe



Tigrus 360° Rotatable can be mounted directly in insulation. Downlight have CRI>95 and are delivered with 2700K or Dim2Warm. The downlight can be tilted 25° and it's 360° rotatable. The luminaire connects easily without using a screwdriver. Cut-out 80-83mm.

ELECTRICAL DATA	
Protection Class (system)	2
Dimming (system)	Phase-Cut
Voltage (system) [V]	230V 50Hz
Emergency light (h)	No Emergency light

TECHNICAL DATA	
IK (system)	IK02
IP (system)	IP44
IP Front/Back (system)	IP40/20

**PRODUCT DATA SHEET**

Tigrus 360° 500lm 8W D2W 930-918 36° WH Phasecut Isosafe

Art.no: 25927-D2W-36-3

*Lighting Solutions*

TECHNICAL DATA	
Outdoor	No
Operating temperature (°C)	-20 - 45

PHOTOMETRIC DATA	
Efficacy (system) (lm/W)	63
CRI / Ra (>=)	95
CCT (Color Temperature) (K)	1800-3000K TW
Preset CCT if switch(Color Temperature) (K)	1800-3000K TW
Color Code	930-918
Lightsource Type	LED (built in)
Socket / Cap-Base	N/A
Lens (Diffuser)	Clear
Lifetime (h)	L80: 100 000
MacAdam (SDCM)	3
UGR (<=)	23
Manufacturer (light source)	Bridgelux
Manufacture Description (COB)	BXRV-DR-1830H-1000-A-13
Forward Current LED (min-max) (mA)	350 - 420
Forward Voltage LED (max tp=25) (V)	18.8
Driftspenning LED (min tp=65) (V)	15.5

DRIVER	
Manufacturer (driver)	AcTEC
Protection Class (driver)	2
Standby power P _{sb} (W) <	0.5
Flicker metric (P _{st} LM) <	1.0
Stroboscopic effect metric (SVM) <	0.4
Max Output Voltage (V)	26
Dimming (driver)	Phase-Cut
Dimming Minimum Level (%)	1.0
Dimming Phasecut Type	Leading / Trailing edge
Dimming output type	Amplitude Modulation
IP (driver)	IP20
Expected Lifetime (driver) (h)	50000
Flicker-free	Yes

**PRODUCT DATA SHEET**

Tigrus 360° 500lm 8W D2W 930-918 36° WH Phasecut Isosafe

Art.no: 25927-D2W-36-3

*Lighting Solutions*

DRIVER	
Max Switching Cycles	100000
Constant current or voltage (CC or CV)	CC
CC (driver) [mA]	332 - 367
Current setting (driver)	None
CC (forward voltage driver) (V)	13.0 - 26.0
CV (driver) [V]	15
Output Current Tolerance (%)	5.0
Current Ripple (%)	5.0
Max load pr circuit - B10	35
Max load pr circuit - B16	182
Max load pr circuit - C10	280
Max load pr circuit - C16	448
Max load pr circuit - C20	560
Max load pr circuit - C25	700
Max load pr circuit - C32	800
Leakage current (mA)	5.0
Inrush current time (µs)	100.0
Inrush current I _{max} (A)	5.0

DIMENSIONS	
Length (product) (mm)	47.0
Width (product) (mm)	95.0
Height (product) (mm)	47.0
Weight (product) (kg)	0.3944444444444444
Diameter (product) (mm)	95.0

MATERIALS AND SURFACES	
Color	White
RAL Code	RAL9010
Corrosion Class	C1
Surface treatment	Powdercoated
Housing Material	Aluminium
Housing Material %	53.800000000000004
Diffuser Material	Aluminium
Diffuser Material%	1.2

**PRODUCT DATA SHEET**

Tigrus 360° 500lm 8W D2W 930-918 36° WH Phasecut Isosafe

Art.no: 25927-D2W-36-3

*Lighting Solutions*

MATERIALS AND SURFACES	
Material 2%	14.7
Material 4%	1.2
Material 5%	0.05
Material 6%	2.1999999999999997
Material 7%	26.85

INSTALLATION AND CONNECTION	
Areas of use	Generally
Mounting	Recessed
Connection (system)	QuickConnect

ENERGY AND CERTIFICATIONS	
Energy Class EPREL	G
CE mark	Yes
Energy Efficiency Class	A+

LIGHT DISTRIBUTION