

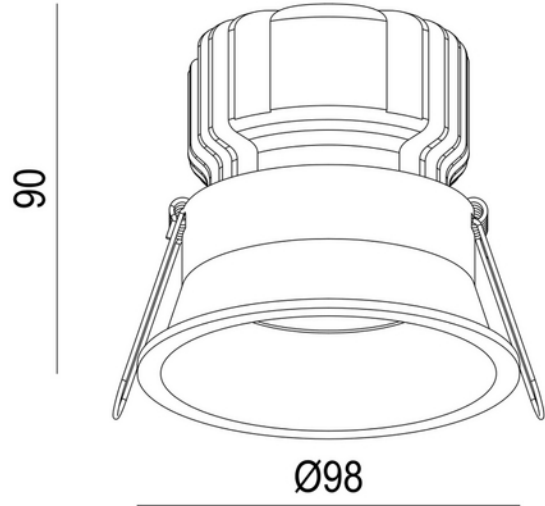
**PRODUCT DATA SHEET**

Ceto Fixed 900lm 15W TW 827-860 36° BK DALI DT8 cutout 92mm

Art.no: 28830-TW-36-2-ddd

*Lighting Solutions*

92mm



Ceto Fixed 900lm 15W TW 827-860 36° BK DALI DT8 cutout 92mm



Ceto Fixed tunable white is a downlight with 15W effect and secluded light source. 36° beam angle and IP44 certified. CCT can be adjusted from 6000K to 2700K. Ceto Fixed is the natural choice if you are looking for an exclusive expression that provides a comfortable and good light. DALI DT8 driver included.

ELECTRICAL DATA	
Protection Class (system)	2
Dimming (system)	DALI DT8
Voltage (system) [V]	230V 50Hz
Emergency light (h)	No Emergency light

TECHNICAL DATA	
IK (system)	IK02
IP (system)	IP44
IP Front/Back (system)	IP40/20

**PRODUCT DATA SHEET**

Ceto Fixed 900lm 15W TW 827-860 36° BK DALI DT8 cutout 92mm

Art.no: 28830-TW-36-2-ddd

*Lighting Solutions*

TECHNICAL DATA	
Outdoor	No
Operating temperature (°C)	-20 - 45

PHOTOMETRIC DATA	
Efficacy (system) (lm/W)	60
CRI / Ra (>=)	80
CCT (Color Temperature) (K)	6000-2700K TW
Color Code	827-860
Lightsource Type	LED (built in)
Socket / Cap-Base	N/A
Lens (Diffuser)	Clear
Lifetime (h)	L80: 100 000
MacAdam (SDCM)	3
UGR (<=)	19
Manufacturer (light source)	Sunpu
Manufacture Description (COB)	TX18B-27H60H-0212CX7
Forward Current LED (min-max) (mA)	250 - 500
Forward Voltage LED (max tp=25) (V)	36.0
Driftspenning LED (min tp=65) (V)	32.0

DRIVER	
Manufacturer (driver)	AcTEC
Protection Class (driver)	2
Standby power Psb (W) <	0.5
Flicker metric (Pst LM) <	1.0
Stroboscopic effect metric (SVM) <	0.4
Max Output Voltage (V)	50
Dimming (driver)	DALI2
Dimming Minimum Level (%)	1.0
Dimming output type	AM+PWM
IP (driver)	IP20
Expected Lifetime (driver) (h)	50000
Flicker-free	Yes
Constant current or voltage (CC or CV)	CC
CC (driver) [mA]	332 - 367

**PRODUCT DATA SHEET**

Ceto Fixed 900lm 15W TW 827-860 36° BK DALI DT8 cutout 92mm

Art.no: 28830-TW-36-2-ddd

*Lighting Solutions*

DRIVER	
Current setting (driver)	DALI-2
CC (forward voltage driver) (V)	10.0 - 50.0
CV (driver) [V]	36
Output Current Tolerance (%)	5.0
Current Ripple (%)	15.0
Max load pr circuit - B10	46
Max load pr circuit - B16	74
Max load pr circuit - C10	62
Max load pr circuit - C16	100
Max load pr circuit - C20	125
Max load pr circuit - C25	156
Max load pr circuit - C32	200
Leakage current (mA)	7.0
Inrush current time (μ s)	100.0
Inrush current I _{max} (A)	15.0

DIMENSIONS	
Height (product) (mm)	90.0
Weight (product) (kg)	0.6041666666666667
Diameter (product) (mm)	98.0

MATERIALS AND SURFACES	
Color	Black
RAL Code	RAL9005
Corrosion Class	C1
Housing Material	Aluminium
Diffuser Material	Aluminium

INSTALLATION AND CONNECTION	
Areas of use	Generally
Mounting	Recessed
Connection (system)	18i3 Quick connection

ENERGY AND CERTIFICATIONS	
Energy Class EPREL	F



PRODUCT DATA SHEET

Ceto Fixed 900lm 15W TW 827-860 36° BK DALI DT8 cutout 92mm

Art.no: 28830-TW-36-2-ddd



Lighting Solutions

ENERGY AND CERTIFICATIONS	
CE mark	Yes