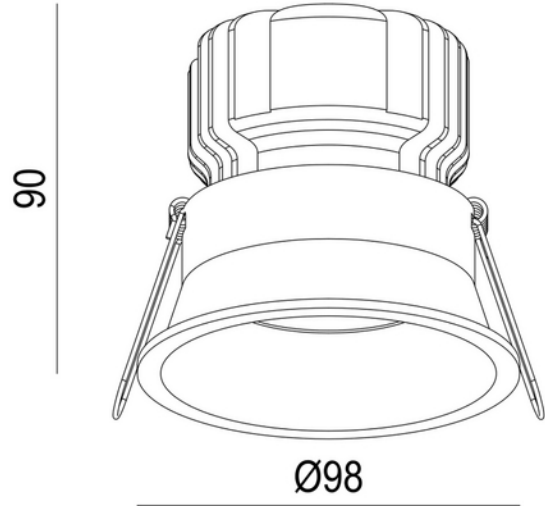


**PRODUCT DATA SHEET**Ceto Fixed 1100lm 15W 930 36° BK EPN0024 w/o driver
Art.no: 28930-2-01-36-2*Lighting Solutions*

92mm



Ceto Fixed 1100lm 15W 930 36° BK EPN0024 w/o driver



Ceto Fixed is a downlight with 15W effect and secluded light source. 36° beam angle and IP44 certified. Ceto Fixed is the natural choice if you are looking for an exclusive expression that provides a comfortable and good light. Dimmable phase-cut driver included.

ELECTRICAL DATA	
Protection Class (system)	3
Dimming (system)	Depending on Driver
Voltage (system) [V]	230V 50Hz
Emergency light (h)	No Emergency light

TECHNICAL DATA	
IK (system)	IK02
IP (system)	IP44
IP Front/Back (system)	IP40/20
Outdoor	No

**PRODUCT DATA SHEET**

Ceto Fixed 1100lm 15W 930 36° BK EPN0024 w/o driver

Art.no: 28930-2-01-36-2

*Lighting Solutions*

TECHNICAL DATA	
Operating temperature (°C)	-20 - 45

PHOTOMETRIC DATA	
Efficacy (system) (lm/W)	73
CRI / Ra (>=)	95
CCT (Color Temperature) (K)	3000
Color Code	930
Lightsource Type	LED (built in)
Socket / Cap-Base	N/A
Lens (Diffuser)	Clear
Lifetime (h)	L80: 100 000
MacAdam (SDCM)	3
UGR (<=)	19
Manufacturer (light source)	Sunpu
Forward Current LED (min-max) (mA)	250 - 500
Forward Voltage LED (max tp=25) (V)	36.0
Driftspenning LED (min tp=65) (V)	32.0

DIMENSIONS	
Height (product) (mm)	90.0
Weight (product) (kg)	0.441666666666667
Diameter (product) (mm)	98.0

MATERIALS AND SURFACES	
Color	Black
RAL Code	RAL9005
Corrosion Class	C1
Housing Material	Aluminium
Diffuser Material	Aluminium

INSTALLATION AND CONNECTION	
Areas of use	Generally
Mounting	Recessed
Connection (system)	18i3 Quick connection



PRODUCT DATA SHEET

Ceto Fixed 1100lm 15W 930 36° BK EPN0024 w/o driver
Art.no: 28930-2-01-36-2



Lighting Solutions

ENERGY AND CERTIFICATIONS	
Energy Class EPREL	F
CE mark	Yes

LIGHT DISTRIBUTION

