
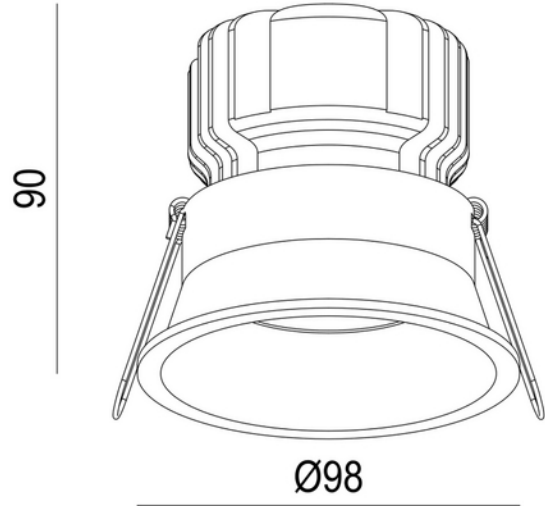


**PRODUCT DATA SHEET**

Ceto Fixed 1100lm 15W 930 36° BK EPN Phasecut cutout 92mm
 Art.no: 28930-2-36-2

*Lighting Solutions*
 92mm


Ceto Fixed 1100lm 15W 930 36° BK EPN Phasecut cutout 92mm



Ceto Fixed is a downlight with 15W effect and secluded light source. 36° beam angle and IP44 certified. Ceto Fixed is the natural choice if you are looking for an exclusive expression that provides a comfortable and good light. Dimmable phase-cut driver included.

ELECTRICAL DATA	
Protection Class (system)	2
Dimming (system)	Phase-Cut
Voltage (system) [V]	230V 50Hz
Emergency light (h)	No Emergency light

TECHNICAL DATA	
IK (system)	IK02
IP (system)	IP44
IP Front/Back (system)	IP40/20

**PRODUCT DATA SHEET**

Ceto Fixed 1100lm 15W 930 36° BK EPN Phasecut cutout 92mm

Art.no: 28930-2-36-2

*Lighting Solutions*

TECHNICAL DATA	
Outdoor	No
Operating temperature (°C)	-20 - 45

PHOTOMETRIC DATA	
Efficacy (system) (lm/W)	73
CRI / Ra (>=)	95
CCT (Color Temperature) (K)	3000
Color Code	930
Lightsource Type	LED (built in)
Socket / Cap-Base	N/A
Lens (Diffuser)	Clear
Lifetime (h)	L80: 100 000
MacAdam (SDCM)	3
UGR (<=)	19
Manufacturer (light source)	Sunpu
Forward Current LED (min-max) (mA)	250 - 500
Forward Voltage LED (max tp=25) (V)	36.0
Driftspenning LED (min tp=65) (V)	32.0

DRIVER	
Manufacturer (driver)	AcTEC
Protection Class (driver)	2
Standby power P _{sb} (W) <	1.0
Flicker metric (P _{st} LM) <	1.0
Stroboscopic effect metric (SVM) <	0.4
Max Output Voltage (V)	52
Dimming (driver)	Phase-Cut
Dimming Minimum Level (%)	1.0
Dimming Phasecut Type	Leading / Trailing edge
Dimming output type	Amplitude Modulation
IP (driver)	IP20
Expected Lifetime (driver) (h)	50000
Flicker-free	Yes
Constant current or voltage (CC or CV)	CC
CC (driver) [mA]	332 - 367

**PRODUCT DATA SHEET**

Ceto Fixed 1100lm 15W 930 36° BK EPN Phasecut cutout 92mm

Art.no: 28930-2-36-2

*Lighting Solutions*

DRIVER	
CC (forward voltage driver) (V)	26.0 - 52.0
CV (driver) [V]	36
Output Current Tolerance (%)	5.0
Current Ripple (%)	5.0
Max load pr circuit - B16	182
Max load pr circuit - C10	280
Max load pr circuit - C16	448
Max load pr circuit - C20	560
Max load pr circuit - C25	700
Max load pr circuit - C32	800
Leakage current (mA)	5.0
Inrush current time (μ s)	100.0
Inrush current I _{max} (A)	5.0

DIMENSIONS	
Height (product) (mm)	90.0
Weight (product) (kg)	0.625
Diameter (product) (mm)	98.0

MATERIALS AND SURFACES	
Color	Black
RAL Code	RAL9005
Corrosion Class	C1
Housing Material	Aluminium
Diffuser Material	Aluminium

INSTALLATION AND CONNECTION	
Areas of use	Generally
Mounting	Recessed
Connection (system)	18i3 Quick connection

ENERGY AND CERTIFICATIONS	
Energy Class EPREL	F
CE mark	Yes



PRODUCT DATA SHEET

Ceto Fixed 1100lm 15W 930 36° BK EPN Phasecut cutout 92mm

Art.no: 28930-2-36-2



Lighting Solutions

LIGHT DISTRIBUTION

