

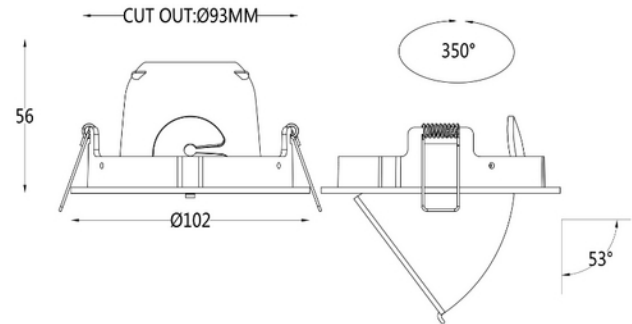
**FDV DOCUMENTATION**

Sargas Rotatable 600lm 8W 927 36° BK Phasecut

Art.no: 29927-36-2

*Lighting Solutions*

93mm



## Sargas Rotatable 600lm 8W 927 36° BK Phasecut



SPECIFICATIONS	
Operating temperature (°C)	45
Forward Voltage LED (max tp=25) (V)	17.5
Forward Voltage LED (min tp=65) (V)	12.0
CC (driver) [mA]	189
CC (forward voltage driver) (V)	50.0
Inrush current time (µs)	100.0
Inrush current I <sub>max</sub> (A)	5.0
Width (product) (mm)	100.0
Height (product) (mm)	56.0
Weight (product) (kg)	0.3611111111111111
Diameter (product) (mm)	102.0



**FDV DOCUMENTATION**

Sargas Rotatable 600lm 8W 927 36° BK Phasecut

Art.no: 29927-36-2



*Lighting Solutions*

**LIGHT DISTRIBUTION**

