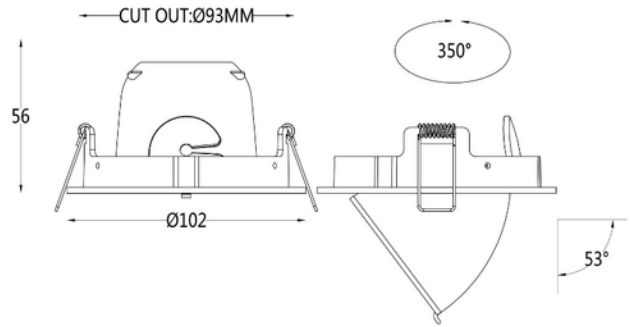


**PRODUCT DATA SHEET**Sargas Rotatable 600lm 8W 927 36° BK Phasecut  
Art.no: 29927-36-2*Lighting Solutions*

93mm



## Sargas Rotatable 600lm 8W 927 36° BK Phasecut



Sargas is an indoor downlight that can be tilted  $53^\circ$  and rotated  $350^\circ$  so you can point the light where you need it. This makes the downlight suitable for pitched roof, but also for flat ceilings to light up a wall, paintings or details you want to highlight. Comes with phase-cut driver with QuickConnect for easy installation. Cut-out  $\varnothing 93\text{mm}$ .

ELECTRICAL DATA	
Protection Class (system)	2
Dimming (system)	Phase-Cut
Voltage (system) [V]	230V 50Hz
Emergency light (h)	No Emergency light

TECHNICAL DATA	
IK (system)	IK02
IP (system)	IP20
IP Front/Back (system)	IP20/20
Outdoor	No

**PRODUCT DATA SHEET**

Sargas Rotatable 600lm 8W 927 36° BK Phasecut

Art.no: 29927-36-2

*Lighting Solutions*

TECHNICAL DATA	
Operating temperature (°C)	-20 - 45

PHOTOMETRIC DATA	
Efficacy (system) (lm/W)	75
CRI / Ra (>=)	90
CCT (Color Temperature) (K)	2700
Color Code	927
Lightsource Type	LED (built in)
Socket / Cap-Base	N/A
Lens (Diffuser)	Clear
Lifetime (h)	L80: 100 000
MacAdam (SDCM)	3
UGR (<=)	23
Manufacturer (light source)	Sunpu
Manufacture Description (COB)	GP16-272F0305-1005VA
Forward Current LED (min-max) (mA)	200 - 450
Forward Voltage LED (max tp=25) (V)	17.5
Driftspenning LED (min tp=65) (V)	12.0

DRIVER	
Manufacturer (driver)	AcTEC
Protection Class (driver)	2
Standby power P <sub>sb</sub> (W) <	0.5
Flicker metric (P <sub>st</sub> LM) <	1.0
Stroboscopic effect metric (SVM) <	0.4
Max Output Voltage (V)	50
Dimming (driver)	None
Dimming Minimum Level (%)	1.0
Dimming Phasecut Type	Leading / Trailing edge
Dimming output type	Amplitude Modulation
IP (driver)	IP20
Expected Lifetime (driver) (h)	50000
Flicker-free	Yes
Constant current or voltage (CC or CV)	CC
CC (driver) [mA]	171 - 189

**PRODUCT DATA SHEET**

Sargas Rotatable 600lm 8W 927 36° BK Phasecut

Art.no: 29927-36-2

*Lighting Solutions*

DRIVER	
CC (forward voltage driver) (V)	25.0 - 50.0
CV (driver) [V]	36
Output Current Tolerance (%)	5.0
Current Ripple (%)	5.0
Max load pr circuit - B10	140
Max load pr circuit - B16	224
Max load pr circuit - C10	280
Max load pr circuit - C16	448
Max load pr circuit - C20	560
Max load pr circuit - C25	700
Max load pr circuit - C32	800
Leakage current (mA)	5.0
Inrush current time (µs)	100.0
Inrush current I <sub>max</sub> (A)	5.0

DIMENSIONS	
Width (product) (mm)	100.0
Height (product) (mm)	56.0
Weight (product) (kg)	0.3611111111111111
Diameter (product) (mm)	102.0

MATERIALS AND SURFACES	
Color	Black
RAL Code	RAL9005
Corrosion Class	C1
Surface treatment	Powdercoated
Housing Material	Aluminium
Housing Material %	56.39999999999999
Diffuser Material	Aluminium
Diffuser Material%	1.3
Material 2%	10.6
Material 4%	1.3
Material 5%	0.03
Material 6%	2.4
Material 7%	27.97

**PRODUCT DATA SHEET**

Sargas Rotatable 600lm 8W 927 36° BK Phasecut  
Art.no: 29927-36-2



*Lighting Solutions*

INSTALLATION AND CONNECTION	
Areas of use	Generally
Mounting	Recessed
Connection (system)	QuickConnect

ENERGY AND CERTIFICATIONS	
Energy Class EPREL	F
CE mark	Yes
Energy Efficiency Class	A+

**LIGHT DISTRIBUTION**