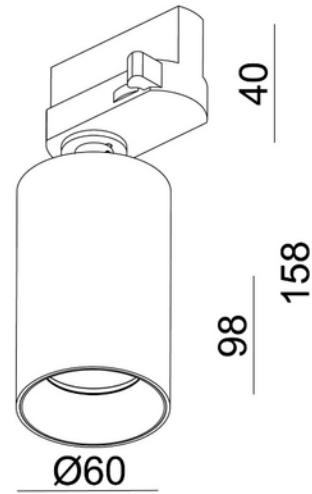


**FDV DOCUMENTATION**

Tania Mini GU10 max 7,5W led 3-circuit BK

Art.no: 3555-2

*Lighting Solutions*

Tania Mini GU10 max 7,5W led 3-circuit BK



SPECIFICATIONS	
Operating temperature (°C)	40
Length (product) (mm)	98.0
Width (product) (mm)	60.0