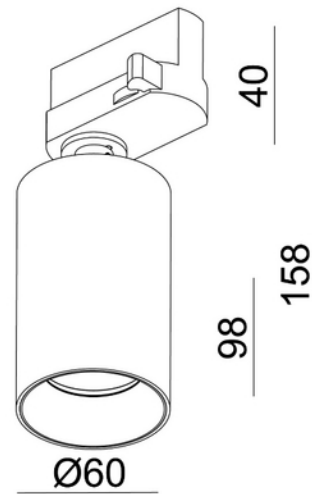


**PRODUCT DATA SHEET**

Tania Mini GU10 max 7,5W led 3-circuit BK

Art.no: 3555-2

*Lighting Solutions*

Tania Mini GU10 max 7,5W led 3-circuit BK



Tania Mini is a small and modern spotlight. This comes with 3-circuit connection. GU10 bulb are not included. Gold front ring can be bought separately. L90mm Ø60mm (GU10).

ELECTRICAL DATA	
Protection Class (system)	1
Dimming (system)	Light bulb dependent
Voltage (system) [V]	230V 50Hz

TECHNICAL DATA	
IP (system)	IP20
Outdoor	No
Operating temperature (°C)	-20 - 40

PHOTOMETRIC DATA	
Lightsource Type	Lightsource not included

**PRODUCT DATA SHEET**

Tania Mini GU10 max 7,5W led 3-circuit BK

Art.no: 3555-2

*Lighting Solutions*

PHOTOMETRIC DATA	
Socket / Cap-Base	GU10
Lens (Diffuser)	None

DIMENSIONS	
Length (product) (mm)	98.0
Width (product) (mm)	60.0

MATERIALS AND SURFACES	
Color	Black

INSTALLATION AND CONNECTION	
Areas of use	Cafe, Cottage, Generally, Hotel, Residence, Shop, Showroom
Mounting	Track, Ceiling
Connection (system)	Track 3-Circuit

ENERGY AND CERTIFICATIONS	
CE mark	Yes
Energy Efficiency Class	A++ - A