



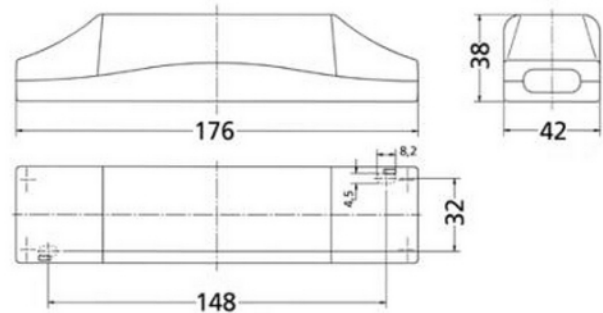
PRODUCT DATA SHEET

Transformer Norlux Tronic-Trafo 20-150W 3x12Vac Dim

Art.no: 53685006



Lighting Solutions



Transformer Norlux Tronic-Trafo 20-150W 3x12Vac Dim



Elektronisk trafo for 12V halogenlamper med 95% effektivitet. Dimmes med faseavsnittdimmer. Viderekobling på primærside. 3 uttak på sekundærside a 12Vac. Max 2 m lengde på sekundærledninger.

ELECTRICAL DATA	
Protection Class (system)	2
Dimming (system)	Phase-Cut
Voltage (system) [V]	230V 50Hz

TECHNICAL DATA	
IP (system)	IP20
Outdoor	No
Operating temperature (°C)	null - 50
Connection 1	Terminal x2
Connection 2	Terminal x3

**PRODUCT DATA SHEET**

Transformer Norlux Tronic-Trafo 20-150W 3x12Vac Dim

Art.no: 53685006

*Lighting Solutions*

DRIVER	
Protection Class (driver)	2
Dimming (driver)	Phase-Cut
IP (driver)	IP20
Constant current or voltage (CC or CV)	CV
CV (driver) [V]	12

DIMENSIONS	
Length (product) (mm)	176.0
Width (product) (mm)	42.0
Height (product) (mm)	38.0

MATERIALS AND SURFACES	
Color	White

INSTALLATION AND CONNECTION	
Connection (system)	Terminalx2

ENERGY AND CERTIFICATIONS	
CE mark	Yes