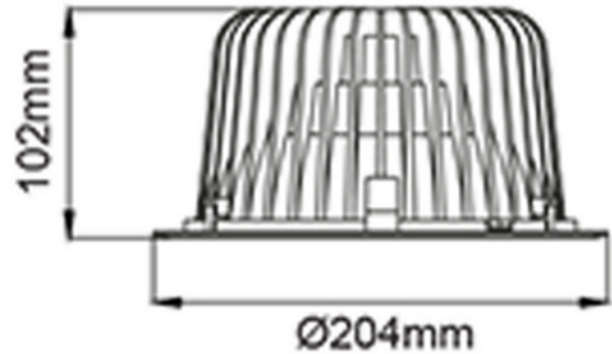


**FDV DOCUMENTATION**

Leila C 2100lm 930 73° 16W w/o driver cut out Ø190mm WH

Art.no: 6925-73-3

*Lighting Solutions* 190mm

Leila C 2100lm 930 73° 16W w/o driver cut out Ø190mm WH



SPECIFICATIONS	
Forward Voltage LED (max tp=25) (V)	38.7
Forward Voltage LED (min tp=65) (V)	29.3
Width (product) (mm)	204.0
Height (product) (mm)	120.0
Weight (product) (kg)	1.1