

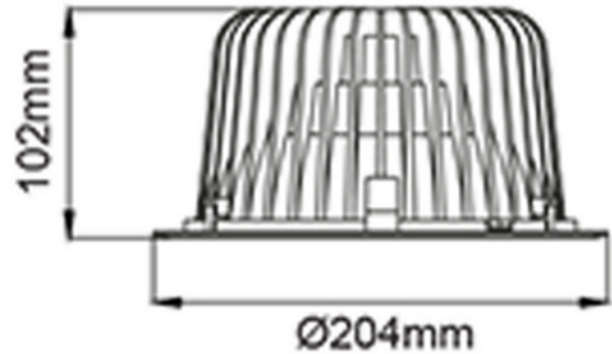
**PRODUCT DATA SHEET**

Leila C 2100lm 930 73° 16W w/o driver cut out Ø190mm WH

Art.no: 6925-73-3

*Lighting Solutions*

Ø 190mm



Leila C 2100lm 930 73° 16W w/o driver cut out Ø190mm WH



Leila C is a highly efficient downlight with 126 lm/w. With wide beam angle and rotationally symmetric light distribution, it's suitable for all places that require high lumen output. Can be delivered with on / off, phasecut or DALI2 driver. See accessories for suitable driver.

ELECTRICAL DATA	
Protection Class (system)	3
Dimming (system)	Depending on Driver
Voltage (system) [V]	230V 50Hz

TECHNICAL DATA	
IP (system)	IP20
Outdoor	No

PHOTOMETRIC DATA	
CRI / Ra (>=)	90

**PRODUCT DATA SHEET**

Leila C 2100lm 930 73° 16W w/o driver cut out Ø190mm WH

Art.no: 6925-73-3

*Lighting Solutions*

PHOTOMETRIC DATA	
CCT (Color Temperature) (K)	3000
Color Code	930
Socket / Cap-Base	N/A
Lens (Diffuser)	Clear
Lifetime (h)	L80B10: 100 000
MacAdam (SDCM)	3
Manufacturer (light source)	Tridonic
Forward Current LED (min-max) (mA)	null - 1540
Forward Voltage LED (max tp=25) (V)	38.7
Driftspenning LED (min tp=65) (V)	29.3

DIMENSIONS	
Width (product) (mm)	204.0
Height (product) (mm)	120.0
Weight (product) (kg)	1.1

INSTALLATION AND CONNECTION	
Areas of use	Generally, Hotel, Office, School, Showroom
Mounting	Recessed, Ceiling
Connection (system)	Depending on driver

ENERGY AND CERTIFICATIONS	
CE mark	Yes
Energy Efficiency Class	A++ - A