

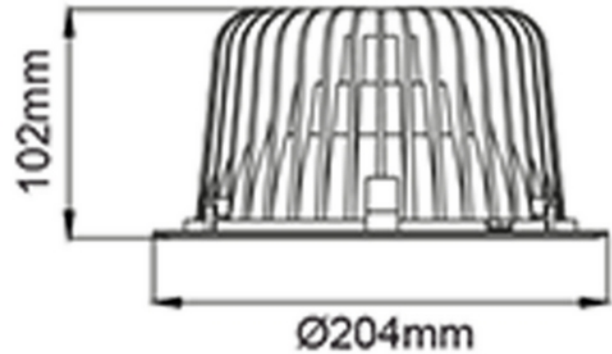
**FDV DOCUMENTATION**

Leila C 2200lm 940 73° 16W w/o driver cut out Ø190mm WH
Art.no: 6926-73-3



Lighting Solutions

 190mm



Leila C 2200lm 940 73° 16W w/o driver cut out Ø190mm WH



SPECIFICATIONS	
Forward Voltage LED (max tp=25) (V)	36.7
Forward Voltage LED (min tp=65) (V)	32.7
Width (product) (mm)	204.0
Height (product) (mm)	120.0
Weight (product) (kg)	1.1