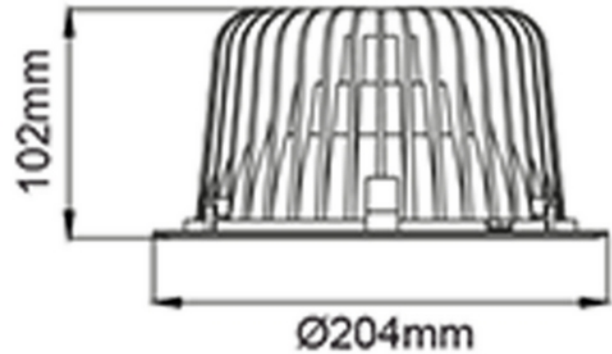


**PRODUCT DATA SHEET**

Leila C 2200lm 940 73° 16W w/o driver cut out Ø190mm WH  
 Art.no: 6926-73-3

*Lighting Solutions*
 190mm


## Leila C 2200lm 940 73° 16W w/o driver cut out Ø190mm WH



Leila C is a highly efficient downlight with 126 lm/w. With wide beam angle and rotationally symmetric light distribution, it's suitable for all places that require high lumen output. Can be delivered with on / off, phasecut or DALI2 driver. See accessories for suitable driver.

ELECTRICAL DATA	
Protection Class (system)	3
Dimming (system)	Depending on Driver
Voltage (system) [V]	230V 50Hz

TECHNICAL DATA	
IP (system)	IP20
Outdoor	No

PHOTOMETRIC DATA	
CRI / Ra (>=)	90

**PRODUCT DATA SHEET**

Leila C 2200lm 940 73° 16W w/o driver cut out Ø190mm WH  
Art.no: 6926-73-3



*Lighting Solutions*

PHOTOMETRIC DATA	
CCT (Color Temperature) (K)	4000
Color Code	940
Socket / Cap-Base	N/A
Lens (Diffuser)	Clear
Lifetime (h)	L80B10: 100 000
MacAdam (SDCM)	3
Manufacturer (light source)	Tridonic
Forward Current LED (min-max) (mA)	500 - 1400
Forward Voltage LED (max tp=25) (V)	36.7
Driftspenning LED (min tp=65) (V)	32.7

DIMENSIONS	
Width (product) (mm)	204.0
Height (product) (mm)	120.0
Weight (product) (kg)	1.1

INSTALLATION AND CONNECTION	
Areas of use	Generally, Hotel, Office, School, Showroom
Mounting	Recessed, Ceiling
Connection (system)	Depending on driver

ENERGY AND CERTIFICATIONS	
CE mark	Yes
Energy Efficiency Class	A++ - A