

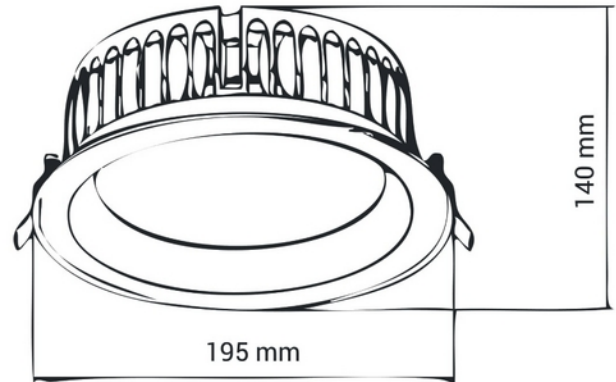
**PRODUCT DATA SHEET**

Auriga 3000lm 830 40° 29W IP44 BK 2m cable

Art.no: 737-2-40-2

*Lighting Solutions*

176mm



Auriga 3000lm 830 40° 29W IP44 BK 2m cable



This series of IP44 downlights is named Auriga. Auriga is supplied with 2m cable for power connection.

ELECTRICAL DATA	
Protection Class (system)	2
Dimming (system)	None
Voltage (system) [V]	230V 50Hz

TECHNICAL DATA	
IK (system)	IK05
IP (system)	IP44
Outdoor	No
Operating temperature (°C)	35 - null

PHOTOMETRIC DATA	
Efficacy (system) (lm/W)	103

**PRODUCT DATA SHEET**

Auriga 3000lm 830 40° 29W IP44 BK 2m cable

Art.no: 737-2-40-2

*Lighting Solutions*

PHOTOMETRIC DATA	
CRI / Ra (>=)	80
CCT (Color Temperature) (K)	3000
Color Code	830
Lightsource Type	LED (built in)
Socket / Cap-Base	N/A
Lens (Diffuser)	Clear
Lifetime (h)	L80B10: 100 000

DRIVER	
Manufacturer (driver)	Helvar
Protection Class (driver)	2
Max Output Voltage (V)	320
IP (driver)	IP20
Expected Lifetime (driver) (h)	100000
Constant current or voltage (CC or CV)	CC
CC (driver) [mA]	350 - 700
CC (forward voltage driver) (V)	10.0 - 60.0
Current Ripple (%)	2.0
Max load pr circuit - B10	27
Max load pr circuit - B16	44
Max load pr circuit - C10	45
Max load pr circuit - C16	74
Inrush current time (μ s)	25.0
Inrush current I _{max} (A)	7.0

DIMENSIONS	
Width (product) (mm)	195.0
Height (product) (mm)	140.0

MATERIALS AND SURFACES	
Color	Black

INSTALLATION AND CONNECTION	
Areas of use	Bathroom, Generally, Hotel, Office, Residence
Mounting	Recessed



PRODUCT DATA SHEET

Auriga 3000lm 830 40° 29W IP44 BK 2m cable

Art.no: 737-2-40-2



Lighting Solutions

ENERGY AND CERTIFICATIONS	
CE mark	Yes
Energy Efficiency Class	A+

LIGHT DISTRIBUTION

