

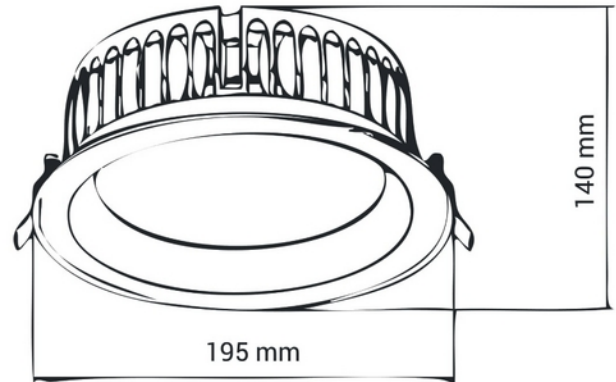
**PRODUCT DATA SHEET**

Auriga 2990lm 840 40° 28W IP44 BK 2m cable

Art.no: 738-2-40-2

*Lighting Solutions*

176mm



## Auriga 2990lm 840 40° 28W IP44 BK 2m cable



This series of IP44 downlights is named Auriga. Auriga is supplied with 2m cable for power connection.

ELECTRICAL DATA	
Protection Class (system)	2
Dimming (system)	None
Voltage (system) [V]	230V 50Hz

TECHNICAL DATA	
IK (system)	IK05
IP (system)	IP44
Outdoor	No
Operating temperature (°C)	35 - null

PHOTOMETRIC DATA	
Efficacy (system) (lm/W)	107

**PRODUCT DATA SHEET**

Auriga 2990lm 840 40° 28W IP44 BK 2m cable

Art.no: 738-2-40-2

*Lighting Solutions*

PHOTOMETRIC DATA	
CRI / Ra (>=)	80
CCT (Color Temperature) (K)	4000
Lightsource Type	LED (built in)
Socket / Cap-Base	N/A
Lens (Diffuser)	Clear
Lifetime (h)	L80B10: 100 000

DRIVER	
Manufacturer (driver)	Helvar
Max Output Voltage (V)	320
IP (driver)	IP20
Constant current or voltage (CC or CV)	CC
CC (driver) [mA]	350 - 700
CC (forward voltage driver) (V)	10.0 - 60.0
Current Ripple (%)	2.0
Max load pr circuit - B10	27
Max load pr circuit - B16	44
Max load pr circuit - C10	45
Max load pr circuit - C16	74
Inrush current time ( $\mu$ s)	25.0
Inrush current I <sub>max</sub> (A)	7.0

DIMENSIONS	
Width (product) (mm)	195.0
Height (product) (mm)	140.0

MATERIALS AND SURFACES	
Color	Black

INSTALLATION AND CONNECTION	
Areas of use	Bathroom, Generally, Hotel, Office, Residence
Mounting	Recessed



**PRODUCT DATA SHEET**

Auriga 2990lm 840 40° 28W IP44 BK 2m cable

Art.no: 738-2-40-2



*Lighting Solutions*

ENERGY AND CERTIFICATIONS	
CE mark	Yes
Energy Efficiency Class	A+

**LIGHT DISTRIBUTION**

