

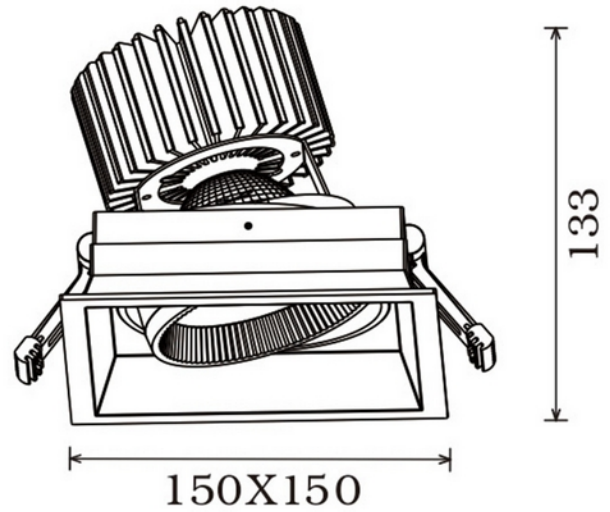
**FDV DOCUMENTATION**

Quadro Single 4250lm 940 30° 31W 18i3 WH

Art.no: 75104-7-30-3

*Lighting Solutions*

140x140mm



Quadro Single 4250lm 940 30° 31W 18i3 WH



SPECIFICATIONS	
Operating temperature (°C)	35
Forward Voltage LED (max tp=25) (V)	36.7
Forward Voltage LED (min tp=65) (V)	32.7
CC (forward voltage driver) (V)	45.0
Inrush current time (µs)	150.0
Inrush current I _{max} (A)	25.0
Length (product) (mm)	150.0
Width (product) (mm)	150.0
Height (product) (mm)	133.0
Weight (product) (kg)	1.05



FDV DOCUMENTATION

Quadro Single 4250lm 940 30° 31W 18i3 WH

Art.no: 75104-7-30-3



Lighting Solutions

LIGHT DISTRIBUTION

