

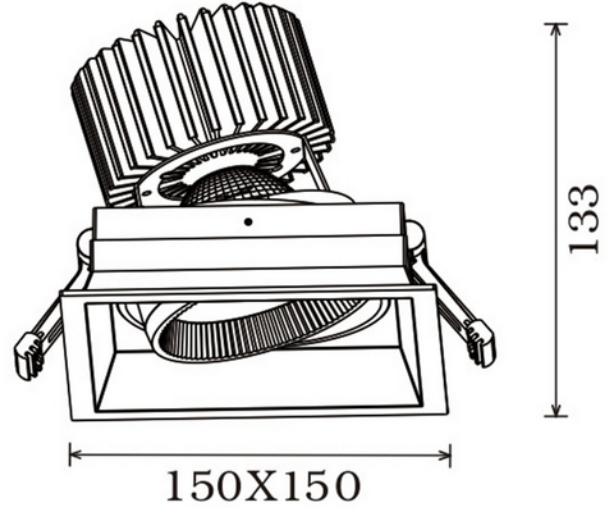
**PRODUCT DATA SHEET**

Quadro Single 4250lm 940 30° 31W 18i3 WH

Art.no: 75104-7-30-3

*Lighting Solutions*

140x140mm



Quadro Single 4250lm 940 30° 31W 18i3 WH



Quadro downlight available in a single and a double version. The Quadro combines the design details from track mounted spotlights with those of downlights. This will make a very nice design element in premises where one needs both track mounted and recessed fixtures.

ELECTRICAL DATA	
Protection Class (system)	2
Dimming (system)	None
Voltage (system) [V]	230V 50Hz

TECHNICAL DATA	
IP (system)	IP20
Outdoor	No
Operating temperature (°C)	-20 - 35

**PRODUCT DATA SHEET**

Quadro Single 4250lm 940 30° 31W 18i3 WH

Art.no: 75104-7-30-3

*Lighting Solutions*

PHOTOMETRIC DATA	
CRI / Ra (>=)	90
CCT (Color Temperature) (K)	4000
Color Code	940
Socket / Cap-Base	N/A
Lens (Diffuser)	Clear
Lifetime (h)	L80B10: 50.000
MacAdam (SDCM)	3
Manufacturer (light source)	Tridonic
Forward Current LED (min-max) (mA)	500 - 1400
Forward Voltage LED (max tp=25) (V)	36.7
Driftspenning LED (min tp=65) (V)	32.7

DRIVER	
Manufacturer (driver)	Tridonic
Protection Class (driver)	1 or 2
Max Output Voltage (V)	60
IP (driver)	IP20
Expected Lifetime (driver) (h)	50000
Constant current or voltage (CC or CV)	CC
CC (driver) [mA]	900 - null
CC (forward voltage driver) (V)	25.0 - 45.0
Output Current Tolerance (%)	7.5
Current Ripple (%)	5.0
Max load pr circuit - B10	14
Max load pr circuit - B16	24
Max load pr circuit - C10	24
Max load pr circuit - C16	40
Inrush current time (µs)	150.0
Inrush current I _{max} (A)	25.0

DIMENSIONS	
Length (product) (mm)	150.0
Width (product) (mm)	150.0
Height (product) (mm)	133.0
Weight (product) (kg)	1.05

**PRODUCT DATA SHEET**

Quadro Single 4250lm 940 30° 31W 18i3 WH

Art.no: 75104-7-30-3

*Lighting Solutions*

MATERIALS AND SURFACES	
Color	White

INSTALLATION AND CONNECTION	
Areas of use	Cafe, Hotel, Shop, Showroom
Mounting	Ceiling
Connection (system)	18i3 Quick connection

ENERGY AND CERTIFICATIONS	
CE mark	Yes
Energy Efficiency Class	A++ - A

ALTERNATIVE DRIVERS	
Current Setting (mA) ?	900

LIGHT DISTRIBUTION