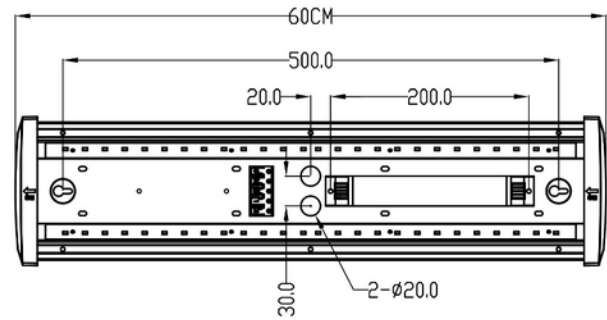


**FDV DOCUMENTATION**

Universal 2000lm 830 105° 16W 600mm WH IP44

Art.no: 8070-105-3

*Lighting Solutions*

Universal 2000lm 830 105° 16W 600mm WH IP44



SPECIFICATIONS	
Operating temperature (°C)	25
CC (driver) [mA]	350
CC (forward voltage driver) (V)	51.0
Inrush current time (µs)	220.0
Inrush current I _{max} (A)	11.6
Length (product) (mm)	600.0
Width (product) (mm)	160.0
Height (product) (mm)	50.0
Weight (product) (kg)	1.4



LIGHT DISTRIBUTION

